



As individual as you:
AvanTech YOU drawer system

Moving precision:
Actro 5D drawer runner

Technik für Möbel


Hettich

AvanTech YOU double walled drawer system



As individual as you – AvanTech YOU

The new AvanTech YOU drawer system scores from design diversity and creative flexibility, from concealed working parts and perfect performance as well as from an efficient product concept geared to the customer.

Design distinctive drawers: the AvanTech YOU drawer is distinguished by immaculate beauty from its slimline and sleek 13 mm drawer side profile. And by the ability to turn personal ideas into reality every time.

Get a variety of clever functions: one drawer, two runners and numerous user friendly functions. Flexibly combinable with each other by using one and the same drilling pattern.

Efficient and cost effective production: the comprehensive platform concept and perfect product adjustments to production and assembly processes guarantee cost effectiveness and efficient work flows while at the same time providing the basis for a broad product lineup.



Design diversity and creative flexibility: different shapes, colours and materials consistently continue furniture design on the inside too.



Many different options for customisation: creative design flexibility in every detail. Attractive highlights are added with designer profile and DesignCapes.

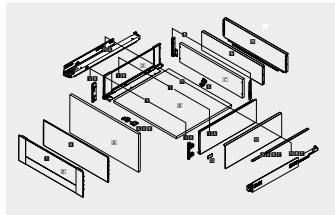


Precision designed furniture: AvanTech YOU competently combines technology, functionality and performance to suit any preference.



hettich.com/short/a07bc8

► Summary



AvanTech YOU

- Range summary 5
- Exploded drawing 6
- Overview of components 7



AvanTech YOU drawer

- Height 77 mm 8 - 9
- Height 101 mm 10 - 11
- Height 139 mm 12 - 13



AvanTech YOU pot-and-pan drawer

- Height 187 mm 14 - 15
- Height 251 mm 16 - 17



AvanTech YOU Inlay pot-and-pan drawer

- Height 187 mm 18 - 19



AvanTech YOU

- Rear panels 20 - 25
- Front for internal drawers / internal pot-and-pan drawers 26 - 33



AvanTech YOU accessories / Designer elements

- DesignCape / Branding clip 34 - 35
- Other accessories 35



AvanTech YOU drawer runners

- Actro YOU 36 - 39
- Quadro YOU 40 - 45
- Actro 5D for wooden drawers 55 - 59



Technical information

- Planning dimensions 46 - 50
- Example applications 51 - 53
- Quality criteria 60
- Environmental criteria 62 - 63

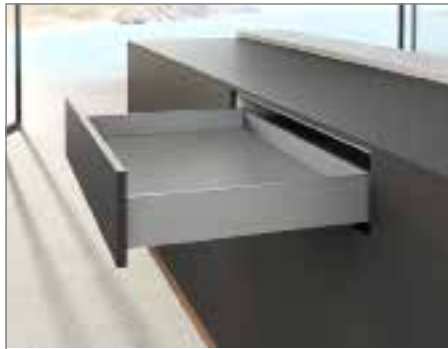
AvanTech YOU double walled drawer system

- ▶ Range summary
- ▶ Powder coated steel, silver / white / anthracite



Drawer, height 77 mm

8 - 9



Drawer, height 101 mm

10 - 11



Drawer, height 139 mm

12 - 13



Pot-and-pan drawer, height 187 mm

14 - 15



Pot-and-pan drawer, height 251 mm

16 - 17



Inlay pot-and-pan drawer, height 187 mm

18 - 19



Internal drawer, height 101 / 139 mm,
internal pot-and-pan drawer, height 187 mm

26 - 33



Narrow base unit

51



Tall unit

52



Larder unit

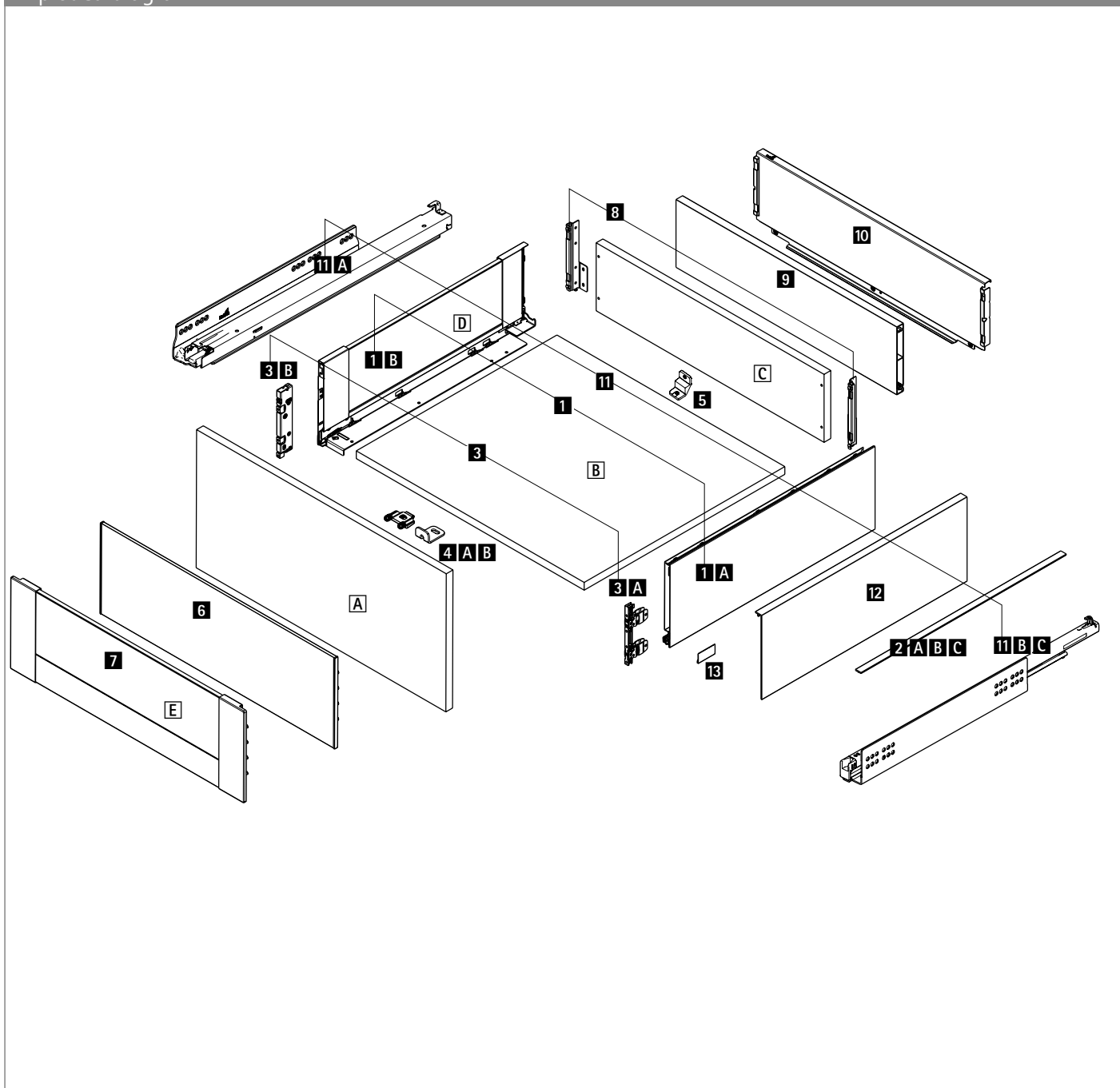
53

AvanTech YOU double walled drawer system

► Exploded drawing / Overview of components



Exploded diagram



AvanTech YOU double walled drawer system

► Exploded drawing / Overview of components

AvanTech YOU system components

Basic components

1 Drawer side profile, left and right

- ... **1 A** AvanTech YOU or
- ... **1 B** AvanTech YOU Inlay

2 Designer profile for top side of AvanTech YOU drawer side profile

A Front, see front options

3 Front connectors, left and right

- ... **3 A** for AvanTech YOU or
- ... **3 B** for AvanTech YOU Inlay

4 A / **4 B** Stabiliser for front panel / internal front panel

C Rear panel, see rear panel options

5 Rear panel stabiliser

Front panel options

A Front panel

6 Front panel for internal drawer / internal pot-and-pan drawer

7 Customisable front panel for internal drawer / internal pot-and-pan drawer

Rear panel options

C Wooden rear panel

8 Rear panel connector, left and right

9 Rear panel profile for cutting to length

10 Steel rear panel in standard cabinet body widths

Design options

2 A / **2 B** / **2 C** Designer profile in drawer side profile colour / foil wrapped / customisable

12 DesignCape

13 Branding clip

Drawer runners

11 A Actro YOU full extension runner

11 B / **11 C** Quadro YOU full extension runner

Wooden elements cut to size

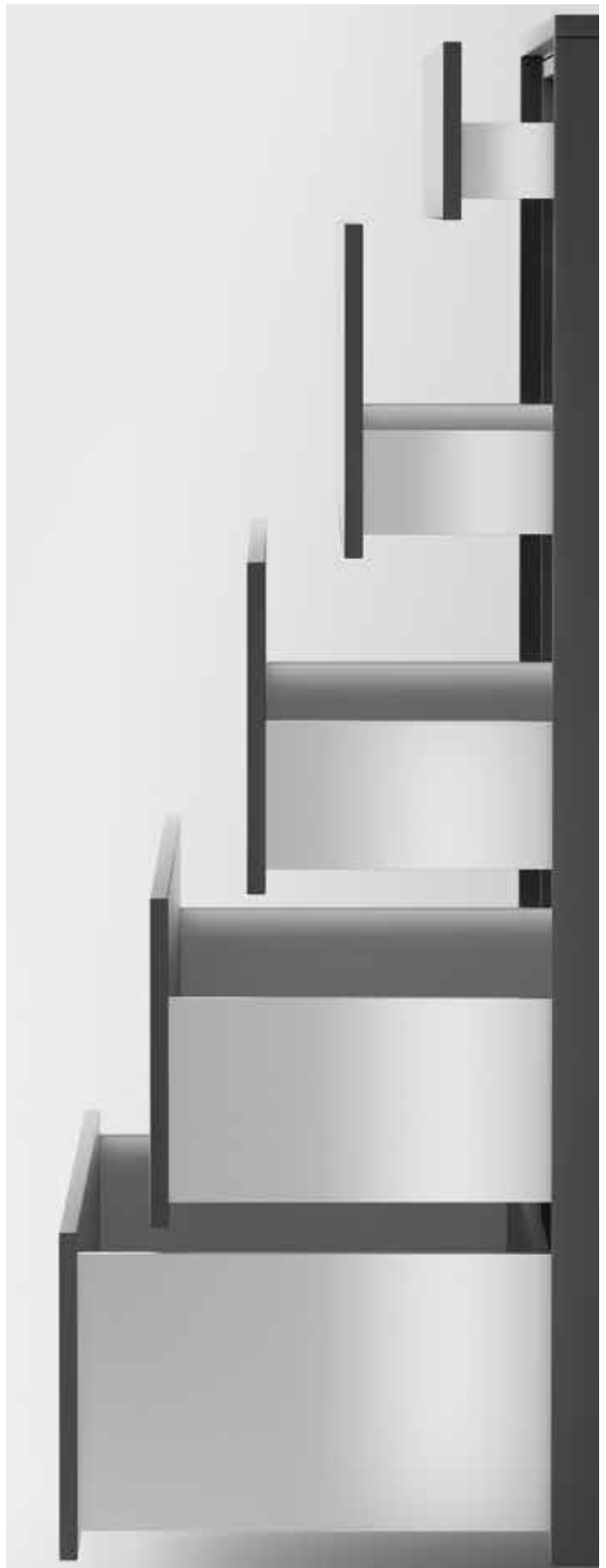
A Front panel

B Bottom panel

C Wooden rear panel

D AvanTech YOU Inlay - insert in any chosen material

E Customisable internal front panel - insert in any chosen material



AvanTech YOU double walled drawer system

- ▶ Drawer height 77 mm
- ▶ Powder coated steel, silver / white / anthracite



1 A Drawer side profile, height 77 mm



- ▶ **2 A / B / C** Designer profile must be ordered separately
- ▶ **3 A** Drawer front connector must be ordered separately
- ▶ Integrated vertical, lateral, depth and tilt adjustment
- ▶ Powder coated steel

Nominal length mm	Order no. / Surface finish / Hinge side						PU
	silver		white		anthracite		
	left	right	left	right	left	right	
400	9 255 000	9 255 001	9 255 080	9 255 081	9 255 160	9 255 161	10 ea.
450	9 255 002	9 255 003	9 255 082	9 255 083	9 255 162	9 255 163	10 ea.
500	9 255 004	9 255 005	9 255 084	9 255 085	9 255 164	9 255 165	10 ea.
550	9 255 006	9 255 007	9 255 086	9 255 087	9 255 166	9 255 167	10 ea.

2 A Designer profile



- ▶ Any chosen top edge for drawer side profile
- ▶ For clipping on
- ▶ Plastic, solid coloured

Nominal length mm	Order no. / Surface finish			PU
	silver	white	anthracite	
400	9 255 807	9 255 816	9 255 825	1/200 each
450	9 255 808	9 255 817	9 255 826	1/200 each
500	9 255 809	9 255 818	9 255 827	1/200 each
550	9 255 810	9 255 819	9 255 828	1/200 each

AvanTech YOU double walled drawer system

- ▶ Drawer height 77 mm
- ▶ Powder coated steel, silver / white / anthracite

2 B Designer profile, foil wrapped



- ▶ Any chosen top edge for drawer side profile
- ▶ For clipping on
- ▶ Plastic, foil wrapped

Nominal length mm	Order no. / Surface finish					PU
	Aluminium	Stainless steel	Chrome	Oak	Walnut	
400	9 255 762	9 255 771	9 255 780	9 255 789	9 255 798	1/100 each
450	9 255 763	9 255 772	9 255 781	9 255 790	9 255 799	1/100 each
500	9 255 764	9 255 773	9 255 782	9 255 791	9 255 800	1/100 each
550	9 255 765	9 255 774	9 255 783	9 255 792	9 255 801	1/100 each

3 A Drawer front connector for drawer side profile, height 77 mm



- ▶ For screwing on or knocking in
- ▶ Steel

Mounting option	Order no.	PU
for screwing on	9 255 832	1/100 each
for knocking in	9 255 833	1/100 each

5 Rear panel stabiliser



- ▶ For wooden and aluminium rear panels
- ▶ 1 each for < 600 mm cabinet body width;
- ▶ 2 each ≥ 600 mm;
- ▶ 3 each ≥ 800 mm;
- ▶ 5 each = 1200 mm
- ▶ Plastic

Order no.	PU
9 257 702	1/200 each

Notes

- ▶ Technical information XX - XX
- ▶ Rear panel options XX - XX
- ▶ Internal front panel options XX - XX
- ▶ Design options / accessories XX - XX
- ▶ Actro YOU / Quadro YOU drawer runners XX - XX
- ▶ Push to open Silent XX - XX
- ▶ Shop, technology and more: www.hettich.com/short/07e136



AvanTech YOU double walled drawer system

- ▶ Drawer height 101 mm
- ▶ Powder coated steel, silver / white / anthracite



1 A Drawer side profile, height 101 mm



- ▶ **2 A / B / C** Designer profile must be ordered separately
- ▶ **3 A** Drawer front connector must be ordered separately
- ▶ **12** DesignCape can be ordered separately
- ▶ Integrated vertical, lateral, depth and tilt adjustment
- ▶ Powder coated steel

Nominal length mm	Order no. / Surface finish / Hinge side						PU
	silver		white		anthracite		
	left	right	left	right	left	right	
270	9 255 008	9 255 009	9 255 088	9 255 089	9 255 168	9 255 169	20 ea.
300	9 255 010	9 255 011	9 255 090	9 255 091	9 255 170	9 255 171	20 ea.
350	9 255 012	9 255 013	9 255 092	9 255 093	9 255 172	9 255 173	20 ea.
400	9 255 014	9 255 015	9 255 094	9 255 095	9 255 174	9 255 175	20 ea.
450	9 255 016	9 255 017	9 255 096	9 255 097	9 255 176	9 255 177	20 ea.
500	9 255 018	9 255 019	9 255 098	9 255 099	9 255 178	9 255 179	20 ea.
550	9 255 020	9 255 021	9 255 100	9 255 101	9 255 180	9 255 181	20 ea.
600	9 255 022	9 255 023	9 255 102	9 255 103	9 255 182	9 255 183	20 ea.
650	9 255 024	9 255 025	9 255 104	9 255 105	9 255 184	9 255 185	20 ea.

2 A Designer profile



- ▶ Any chosen top edge for drawer side profile
- ▶ For clipping on
- ▶ Plastic, solid coloured

Nominal length mm	Order no. / Surface finish			PU
	silver	white	anthracite	
270	9 255 804	9 255 813	9 255 822	1/200 each
300	9 255 805	9 255 814	9 255 823	1/200 each
350	9 255 806	9 255 815	9 255 824	1/200 each
400	9 255 807	9 255 816	9 255 825	1/200 each
450	9 255 808	9 255 817	9 255 826	1/200 each
500	9 255 809	9 255 818	9 255 827	1/200 each
550	9 255 810	9 255 819	9 255 828	1/200 each
600	9 255 811	9 255 820	9 255 829	1/200 each
650	9 255 812	9 255 821	9 255 830	1/200 each

AvanTech YOU double walled drawer system

- ▶ Drawer height 101 mm
- ▶ Powder coated steel, silver / white / anthracite

2 B Designer profile, foil wrapped



- ▶ Any chosen top edge for drawer side profile
- ▶ For clipping on
- ▶ Plastic, foil wrapped

Nominal length mm	Order no. / Surface finish					PU
	Aluminium	Stainless steel	Chrome	Oak	Walnut	
270	9 255 759	9 255 768	9 255 777	9 255 786	9 255 795	1/100 each
300	9 255 760	9 255 769	9 255 778	9 255 787	9 255 796	1/100 each
350	9 255 761	9 255 770	9 255 779	9 255 788	9 255 797	1/100 each
400	9 255 762	9 255 771	9 255 780	9 255 789	9 255 798	1/100 each
450	9 255 763	9 255 772	9 255 781	9 255 790	9 255 799	1/100 each
500	9 255 764	9 255 773	9 255 782	9 255 791	9 255 800	1/100 each
550	9 255 765	9 255 774	9 255 783	9 255 792	9 255 801	1/100 each
600	9 255 766	9 255 775	9 255 784	9 255 793	9 255 802	1/100 each
650	9 255 767	9 255 776	9 255 785	9 255 794	9 255 803	1/100 each

3 A Drawer front connector for drawer side profile, height 101 mm



- ▶ For screwing on or knocking in
- ▶ Steel

Mounting option	Order no.	PU
for screwing on	9 255 835	1/200 each
for knocking in	9 255 836	1/200 each

5 Rear panel stabiliser



- ▶ For wooden and aluminium rear panels
- ▶ 1 each for < 600 mm cabinet body width;
- ▶ 2 each ≥ 600 mm;
- ▶ 3 each ≥ 800 mm;
- ▶ 5 each = 1200 mm
- ▶ Plastic

Order no.	PU
9 257 702	1/200 each

Notes

- ▶ Technical information XX - XX
- ▶ Rear panel options XX - XX
- ▶ Internal front panel options XX - XX
- ▶ Design options / accessories XX - XX
- ▶ Actro YOU / Quadro YOU drawer runners XX - XX
- ▶ Push to open Silent XX - XX
- ▶ Shop, technology and more: www.hettich.com/short/07e136

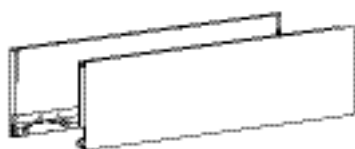


AvanTech YOU double walled drawer system

- ▶ Drawer height 139 mm
- ▶ Powder coated steel, silver / white / anthracite



1 A Drawer side profile, height 139 mm



- ▶ **2 A / B / C** Designer profile must be ordered separately
- ▶ **3 A** Drawer front connector must be ordered separately
- ▶ **12** DesignCape can be ordered separately
- ▶ Integrated vertical, lateral, depth and tilt adjustment
- ▶ Powder coated steel

Nominal length mm	Order no. / Surface finish / Hinge side						PU
	silver		white		anthracite		
	left	right	left	right	left	right	
300	9 255 028	9 255 029	9 255 108	9 255 109	9 255 188	9 255 189	20 ea.
350	9 255 030	9 255 031	9 255 110	9 255 111	9 255 190	9 255 191	20 ea.
400	9 255 032	9 255 033	9 255 112	9 255 113	9 255 192	9 255 193	20 ea.
450	9 225 034	9 255 035	9 255 114	9 255 115	9 255 194	9 255 195	20 ea.
500	9 255 036	9 255 037	9 255 116	9 255 117	9 255 196	9 255 197	20 ea.
550	9 255 038	9 255 039	9 255 118	9 255 119	9 255 198	9 255 199	20 ea.
600	9 255 040	9 255 041	9 255 120	9 255 121	9 255 200	9 255 201	20 ea.

2 A Designer profile



- ▶ Any chosen top edge for drawer side profile
- ▶ For clipping on
- ▶ Plastic, solid coloured

Nominal length mm	Order no. / Surface finish			PU
	silver	white	anthracite	
300	9 255 805	9 255 814	9 255 823	1/200 each
350	9 255 806	9 255 815	9 255 824	1/200 each
400	9 255 807	9 255 816	9 255 825	1/200 each
450	9 255 808	9 255 817	9 255 826	1/200 each
500	9 255 809	9 255 818	9 255 827	1/200 each
550	9 255 810	9 255 819	9 255 828	1/200 each
600	9 255 811	9 255 820	9 255 829	1/200 each

AvanTech YOU double walled drawer system

- ▶ Drawer height 139 mm
- ▶ Powder coated steel, silver / white / anthracite

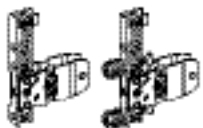
2 B Designer profile, foil wrapped



- ▶ Any chosen top edge for drawer side profile
- ▶ For clipping on
- ▶ Plastic, foil wrapped

Nominal length mm	Order no. / Surface finish					PU
	Aluminium	Stainless steel	Chrome	Oak	Walnut	
300	9 255 760	9 255 769	9 255 778	9 255 787	9 255 796	1/100 each
350	9 255 761	9 255 770	9 255 779	9 255 788	9 255 797	1/100 each
400	9 255 762	9 255 771	9 255 780	9 255 789	9 255 798	1/100 each
450	9 255 763	9 255 772	9 255 781	9 255 790	9 255 799	1/100 each
500	9 255 764	9 255 773	9 255 782	9 255 791	9 255 800	1/100 each
550	9 255 765	9 255 774	9 255 783	9 255 792	9 255 801	1/100 each
600	9 255 766	9 255 775	9 255 784	9 255 793	9 255 802	1/100 each

3 A Drawer front connector for drawer side profile, height 139 mm



- ▶ For screwing on or knocking in
- ▶ Steel

Mounting option	Order no.	PU
for screwing on	9 257 884	1/200 each
for knocking in	9 257 885	1/200 each

5 Rear panel stabiliser



- ▶ For wooden and aluminium rear panels
- ▶ 1 each for < 600 mm cabinet body width;
- ▶ 2 each ≥ 600 mm;
- ▶ 3 each ≥ 800 mm;
- ▶ 5 each = 1200 mm
- ▶ Plastic

Order no.	PU
9 257 702	1/200 each

Notes

- ▶ Technical information XX - XX
- ▶ Rear panel options XX - XX
- ▶ Internal front panel options XX - XX
- ▶ Design options / accessories XX - XX
- ▶ Actro YOU / Quadro YOU drawer runners XX - XX
- ▶ Push to open Silent XX - XX
- ▶ Shop, technology and more: www.hettich.com/short/07e136



AvanTech YOU double walled drawer system

- ▶ Pot-and-pan drawer, height 187 mm
- ▶ Powder coated steel, silver / white / anthracite



1 A Drawer side profile, height 187 mm



- ▶ **2 A / B / C** Designer profile must be ordered separately
- ▶ **3 A** Drawer front connector must be ordered separately
- ▶ **12** DesignCape can be ordered separately
- ▶ Integrated vertical, lateral, depth and tilt adjustment
- ▶ Powder coated steel

Nominal length mm	Order no. / Surface finish / Hinge side						PU
	silver		white		anthracite		
	left	right	left	right	left	right	
270	9 255 044	9 255 045	9 255 124	9 255 125	9 255 204	9 255 205	10 ea.
300	9 255 046	9 255 047	9 255 126	9 255 127	9 255 206	9 255 207	10 ea.
350	9 255 048	9 255 049	9 255 128	9 255 129	9 255 208	9 255 209	10 ea.
400	9 255 050	9 255 051	9 255 130	9 255 131	9 255 210	9 255 211	10 ea.
450	9 255 052	9 255 053	9 255 132	9 255 133	9 255 212	9 255 213	10 ea.
500	9 255 054	9 255 055	9 255 134	9 255 135	9 255 214	9 255 215	10 ea.
550	9 255 056	9 255 057	9 255 136	9 255 137	9 255 216	9 255 217	10 ea.
600	9 255 058	9 255 059	9 255 138	9 255 139	9 255 218	9 255 219	10 ea.
650	9 255 060	9 255 061	9 255 140	9 255 141	9 255 220	9 255 221	10 ea.

2 A Designer profile



- ▶ Any chosen top edge for drawer side profile
- ▶ For clipping on
- ▶ Plastic, solid coloured

Nominal length mm	Order no. / Surface finish			PU
	silver	white	anthracite	
270	9 255 804	9 255 813	9 255 822	1/200 each
300	9 255 805	9 255 814	9 255 823	1/200 each
350	9 255 806	9 255 815	9 255 824	1/200 each
400	9 255 807	9 255 816	9 255 825	1/200 each
450	9 255 808	9 255 817	9 255 826	1/200 each
500	9 255 809	9 255 818	9 255 827	1/200 each
550	9 255 810	9 255 819	9 255 828	1/200 each
600	9 255 811	9 255 820	9 255 829	1/200 each
650	9 255 812	9 255 821	9 255 830	1/200 each

AvanTech YOU double walled drawer system

- ▶ Pot-and-pan drawer, height 187 mm
- ▶ Powder coated steel, silver / white / anthracite

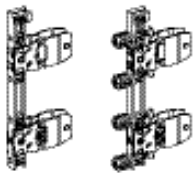
2 B Designer profile, foil wrapped



- ▶ Any chosen top edge for drawer side profile
- ▶ For clipping on
- ▶ Plastic, foil wrapped

Nominal length mm	Order no. / Surface finish					PU
	Aluminium	Stainless steel	Chrome	Oak	Walnut	
270	9 255 759	9 255 768	9 255 777	9 255 786	9 255 795	1/100 each
300	9 255 760	9 255 769	9 255 778	9 255 787	9 255 796	1/100 each
350	9 255 761	9 255 770	9 255 779	9 255 788	9 255 797	1/100 each
400	9 255 762	9 255 771	9 255 780	9 255 789	9 255 798	1/100 each
450	9 255 763	9 255 772	9 255 781	9 255 790	9 255 799	1/100 each
500	9 255 764	9 255 773	9 255 782	9 255 791	9 255 800	1/100 each
550	9 255 765	9 255 774	9 255 783	9 255 792	9 255 801	1/100 each
600	9 255 766	9 255 775	9 255 784	9 255 793	9 255 802	1/100 each
650	9 255 767	9 255 776	9 255 785	9 255 794	9 255 803	1/100 each

3 A Drawer front connector for drawer side profile, height 187 / 251 mm



- ▶ For screwing on or knocking in
- ▶ Steel

Mounting option	Order no.	PU
for screwing on	9 255 838	1/200 each
for knocking in	9 255 839	1/200 each

5 Rear panel stabiliser



- ▶ For wooden and aluminium rear panels
- ▶ 1 each for < 600 mm cabinet body width;
- ▶ 2 each ≥ 600 mm;
- ▶ 3 each ≥ 800 mm;
- ▶ 5 each = 1200 mm
- ▶ Plastic

Order no.	PU
9 257 702	1/200 each

Notes

- ▶ Technical information XX - XX
- ▶ Rear panel options XX - XX
- ▶ Internal front panel options XX - XX
- ▶ Design options / accessories XX - XX
- ▶ Actro YOU / Quadro YOU drawer runners XX - XX
- ▶ Push to open Silent XX - XX
- ▶ Shop, technology and more: www.hettich.com/short/07e136

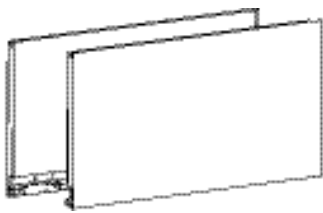


AvanTech YOU double walled drawer system

- ▶ Pot-and-pan drawer, height 251 mm
- ▶ Powder coated steel, silver / white / anthracite



1 A Drawer side profile, height 251 mm



- ▶ **2 A / B / C** Designer profile must be ordered separately
- ▶ **3 A** Drawer front connector must be ordered separately
- ▶ **3 C** Drawer front connector stabiliser must be ordered separately
- ▶ Integrated vertical, lateral, depth and tilt adjustment
- ▶ Powder coated steel

Nominal length mm	Order no. / Surface finish / Hinge side						PU
	silver		white		anthracite		
	left	right	left	right	left	right	
350	9 255 066	9 255 067	9 255 146	9 255 147	9 255 226	9 255 227	10 ea.
400	9 255 068	9 255 069	9 255 148	9 255 149	9 255 228	9 255 229	10 ea.
450	9 255 070	9 255 071	9 255 150	9 255 151	9 255 230	9 255 231	10 ea.
500	9 255 072	9 255 073	9 255 152	9 255 153	9 255 232	9 255 233	10 ea.
550	9 255 074	9 255 075	9 255 154	9 255 155	9 255 234	9 255 235	10 ea.
600	9 255 076	9 255 077	9 255 156	9 255 157	9 255 236	9 255 237	10 ea.
650	9 255 078	9 255 079	9 255 158	9 255 159	9 255 238	9 255 239	10 ea.

2 A Designer profile



- ▶ Any chosen top edge for drawer side profile
- ▶ For clipping on
- ▶ Plastic, solid coloured

Nominal length mm	Order no. / Surface finish			PU
	silver	white	anthracite	
350	9 255 806	9 255 815	9 255 824	1/200 each
400	9 255 807	9 255 816	9 255 825	1/200 each
450	9 255 808	9 255 817	9 255 826	1/200 each
500	9 255 809	9 255 818	9 255 827	1/200 each
550	9 255 810	9 255 819	9 255 828	1/200 each
600	9 255 811	9 255 820	9 255 829	1/200 each
650	9 255 812	9 255 821	9 255 830	1/200 each

AvanTech YOU double walled drawer system

- ▶ Pot-and-pan drawer, height 251 mm
- ▶ Powder coated steel, silver / white / anthracite

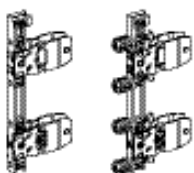
2 B Designer profile, foil wrapped



- ▶ Any chosen top edge for drawer side profile
- ▶ For clipping on
- ▶ Plastic, foil wrapped

Nominal length mm	Order no. / Surface finish					PU
	Aluminium	Stainless steel	Chrome	Oak	Walnut	
350	9 255 761	9 255 770	9 255 779	9 255 788	9 255 797	1/100 each
400	9 255 762	9 255 771	9 255 780	9 255 789	9 255 798	1/100 each
450	9 255 763	9 255 772	9 255 781	9 255 790	9 255 799	1/100 each
500	9 255 764	9 255 773	9 255 782	9 255 791	9 255 800	1/100 each
550	9 255 765	9 255 774	9 255 783	9 255 792	9 255 801	1/100 each
600	9 255 766	9 255 775	9 255 784	9 255 793	9 255 802	1/100 each
650	9 255 767	9 255 776	9 255 785	9 255 794	9 255 803	1/100 each

3 A Drawer front connector for drawer side profile, height 187 / 251 mm



- ▶ For screwing on or knocking in
- ▶ Steel

3 C Drawer front connector side profile, stabiliser, height 251 mm



- ▶ For screwing on or knocking in
- ▶ Plastic, anthracite

Mounting option	Order no.	PU
for screwing on	9 255 838	1/200 each
for knocking in	9 255 839	1/200 each

Mounting option	Order no.	PU
for screwing on	9 257 887	1/50 ea.
for knocking in	9 257 888	1/50 ea.

5 Rear panel stabiliser



- ▶ For wooden and aluminium rear panels
- ▶ 1 each for < 600 mm cabinet body width;
2 each ≥ 600 mm;
3 each ≥ 800 mm;
5 each = 1200 mm
- ▶ Plastic

Order no.	PU
9 257 702	1/200 each

Notes

- ▶ Technical information XX - XX
- ▶ Rear panel options XX - XX
- ▶ Internal front panel options XX - XX
- ▶ Design options / accessories XX - XX
- ▶ Actro YOU / Quadro YOU drawer runners XX - XX
- ▶ Push to open Silent XX - XX
- ▶ Shop, technology and more: www.hettich.com/short/07e136

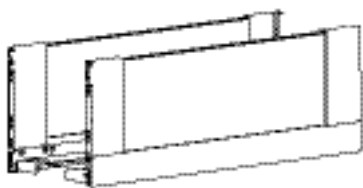


AvanTech YOU double walled drawer system

- ▶ Inlay pot-and-pan drawer, height 187 mm
- ▶ Powder coated steel, silver / white / anthracite



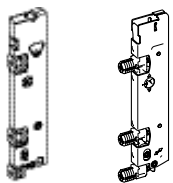
1 B Inlay drawer side profile, height 187 mm



- ▶ **3 B** Drawer front connector must be ordered separately
- ▶ For combining with glass inlay or any chosen material
- ▶ For using materials in a thickness of 10 mm (materials in a thickness of 8 mm: also see adapter)
- ▶ Integrated vertical, lateral, depth and tilt adjustment
- ▶ Powder coated steel

Nominal length mm	Order no. / Surface finish / Hinge side						PU
	silver		white		anthracite		
	left	right	left	right	left	right	
350	9 257 131	9 257 132	9 257 145	9 257 146	9 257 159	9 257 160	10 ea.
400	9 257 133	9 257 134	9 257 147	9 257 148	9 257 161	9 257 162	10 ea.
450	9 257 135	9 257 136	9 257 149	9 257 150	9 257 163	9 257 164	10 ea.
500	9 257 137	9 257 138	9 257 151	9 257 152	9 257 165	9 257 166	10 ea.
550	9 257 139	9 257 140	9 257 153	9 257 154	9 257 167	9 257 168	10 ea.
600	9 257 141	9 257 142	9 257 155	9 257 156	9 257 169	9 257 170	10 ea.
650	9 257 143	9 257 144	9 257 157	9 257 158	9 257 171	9 257 172	10 ea.

3 B Drawer front connector for Inlay drawer side profile, height 187 mm



- ▶ For screwing on or knocking in
- ▶ Steel

Mounting option	Bestell-Nr.	PU
for screwing on	9 257 257	1/200 each
for knocking in	9 257 258	1/200 each

5 Rear panel stabiliser



- ▶ For wooden and aluminium rear panels
- ▶ 1 each for < 600 mm cabinet body width;
- ▶ 2 each ≥ 600 mm;
- ▶ 3 each ≥ 800 mm;
- ▶ 5 each = 1200 mm
- ▶ Plastic

Order no.	PU
9 257 702	1/200 each

Notes

- ▶ Technical information
- ▶ Rear panel options
- ▶ Internal front panel options
- ▶ Design options / accessories

- XX - XX ▶ Actro YOU / Quadro YOU drawer runners
- XX - XX ▶ Push to open Silent

XX - XX
XX - XX

- ▶ Shop, technology and more:
www.hettich.com/short/07e136



AvanTech YOU double walled drawer system

- ▶ Inlay pot-and-pan drawer, height 187 mm
- ▶ Powder coated steel, silver / white / anthracite

Adapter for Inlay drawer side profile

- ▶ For using materials in a thickness of 8 mm
- ▶ 2 adapters are required for each drawer side profile
- ▶ Plastic, grey

Order no.	PU
9 268 677	4 ea.

AvanTech YOU double walled drawer system

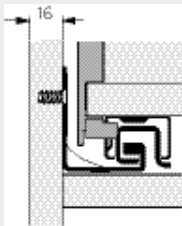
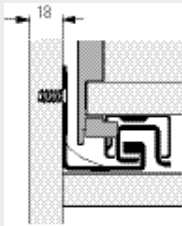
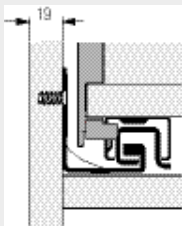
- ▶ Rear panel
- ▶ Steel rear panel

10 Steel rear panel



- ▶ Available on request
- ▶ For standard cabinet body widths
- ▶ Powder coated steel

Height 77 mm

Cabinet body side thickness 16 mm	Cabinet body width mm	Order no. / Surface finish			PU
		silver	white	anthracite	
	600	9 255 360	9 255 413	9 255 466	10 ea.
Cabinet body side thickness 18 mm	Cabinet body width mm	Order no. / Surface finish			PU
		silver	white	anthracite	
	600	9 270 570	9 270 623	9 270 676	10 ea.
Cabinet body side thickness 19 mm	Cabinet body width mm	Order no. / Surface finish			PU
		silver	white	anthracite	
	600	9 255 519	9 255 572	9 255 625	10 ea.

AvanTech YOU double walled drawer system

- ▶ Rear panel
- ▶ Steel rear panel

Height 101 mm

Cabinet body side thickness 16 mm	Cabinet body width mm	Order no. / Surface finish			PU
		silver	white	anthracite	
	300	9 255 362	9 255 415	9 255 468	20 ea.
	400	9 255 364	9 255 417	9 255 470	20 ea.
	450	9 255 365	9 255 418	9 255 471	20 ea.
	500	9 255 366	9 255 419	9 255 472	20 ea.
	600	9 255 368	9 255 421	9 255 474	20 ea.
	800	9 255 370	9 255 423	9 255 476	20 ea.
	900	9 255 371	9 255 424	9 255 477	20 ea.
	1000	9 255 372	9 255 425	9 255 478	20 ea.
	1200	9 255 373	9 255 426	9 255 479	20 ea.

Cabinet body side thickness 18 mm	Cabinet body width mm	Order no. / Surface finish			PU
		silver	white	anthracite	
	300	9 270 572	9 270 625	9 270 678	20 ea.
	400	9 270 574	9 270 627	9 270 680	20 ea.
	450	9 270 575	9 270 628	9 270 681	20 ea.
	500	9 270 576	9 270 629	9 270 682	20 ea.
	600	9 270 578	9 270 631	9 270 684	20 ea.
	800	9 270 580	9 270 633	9 270 686	20 ea.
	900	9 270 581	9 270 634	9 270 687	20 ea.
	1000	9 270 582	9 270 635	9 270 688	20 ea.
	1200	9 270 583	9 270 636	9 270 689	20 ea.

Cabinet body side thickness 19 mm	Cabinet body width mm	Order no. / Surface finish			PU
		silver	white	anthracite	
	300	9 255 521	9 255 574	9 255 627	20 ea.
	400	9 255 523	9 255 576	9 255 629	20 ea.
	450	9 255 524	9 255 577	9 255 630	20 ea.
	500	9 255 525	9 255 578	9 255 631	20 ea.
	600	9 255 527	9 255 580	9 255 633	20 ea.
	800	9 255 529	9 255 582	9 255 635	20 ea.
	900	9 255 530	9 255 583	9 255 636	20 ea.
	1000	9 255 531	9 255 584	9 255 637	20 ea.
	1200	9 255 532	9 255 585	9 255 638	20 ea.

AvanTech YOU double walled drawer system

- ▶ Rear panel
- ▶ Steel rear panel

Height 139 mm

Cabinet body side thickness 16 mm	Cabinet body width mm	Order no. / Surface finish			PU
		silver	white	anthracite	
	300	9 255 375	9 255 428	9 255 481	20 ea.
	400	9 255 377	9 255 430	9 255 483	20 ea.
	450	9 255 378	9 255 431	9 255 484	20 ea.
	500	9 255 379	9 255 432	9 255 485	20 ea.
	600	9 255 381	9 255 434	9 255 487	20 ea.
	800	9 255 383	9 255 436	9 255 489	20 ea.
	900	9 255 384	9 255 437	9 255 490	20 ea.
	1000	9 255 385	9 255 438	9 255 491	20 ea.
	1200	9 255 386	9 255 439	9 255 492	20 ea.

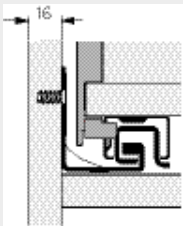
Cabinet body side thickness 18 mm	Cabinet body width mm	Order no. / Surface finish			PU
		silver	white	anthracite	
	300	9 270 585	9 270 638	9 270 691	20 ea.
	400	9 270 587	9 270 640	9 270 693	20 ea.
	450	9 270 588	9 270 641	9 270 694	20 ea.
	500	9 270 589	9 270 642	9 270 695	20 ea.
	600	9 270 591	9 270 644	9 270 697	20 ea.
	800	9 270 593	9 270 646	9 270 699	20 ea.
	900	9 270 594	9 270 647	9 270 700	20 ea.
	1000	9 270 595	9 270 648	9 270 701	20 ea.
	1200	9 270 596	9 270 649	9 270 702	20 ea.

Cabinet body side thickness 19 mm	Cabinet body width mm	Order no. / Surface finish			PU
		silver	white	anthracite	
	300	9 255 534	9 255 587	9 255 640	20 ea.
	400	9 255 536	9 255 589	9 255 642	20 ea.
	450	9 255 537	9 255 590	9 255 643	20 ea.
	500	9 255 538	9 255 591	9 255 644	20 ea.
	600	9 255 540	9 255 593	9 255 646	20 ea.
	800	9 255 542	9 255 595	9 255 648	20 ea.
	900	9 255 543	9 255 596	9 255 649	20 ea.
	1000	9 255 544	9 255 597	9 255 650	20 ea.
	1200	9 255 545	9 255 598	9 255 651	20 ea.

AvanTech YOU double walled drawer system

- ▶ Rear panel
- ▶ Steel rear panel

Height 187 mm

Cabinet body side thickness 16 mm	Cabinet body width mm	Order no. / Surface finish			PU
		silver	white	anthracite	
	300	9 255 388	9 255 441	9 255 494	10 ea.
	400	9 255 390	9 255 443	9 255 496	10 ea.
	450	9 255 392	9 255 445	9 255 498	10 ea.
	500	9 255 393	9 255 446	9 255 499	10 ea.
	600	9 255 394	9 255 447	9 255 500	10 ea.
	800	9 255 396	9 255 449	9 255 502	10 ea.
	900	9 255 397	9 255 450	9 255 503	10 ea.
	1000	9 255 398	9 255 451	9 255 504	10 ea.
	1200	9 255 399	9 255 452	9 255 505	10 ea.

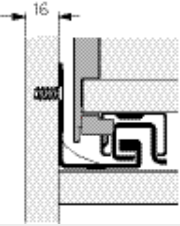
Cabinet body side thickness 18 mm	Cabinet body width mm	Order no. / Surface finish			PU
		silver	white	anthracite	
	300	9 270 598	9 270 651	9 270 704	10 ea.
	400	9 270 600	9 270 653	9 270 706	10 ea.
	450	9 270 601	9 270 654	9 270 707	10 ea.
	500	9 270 602	9 270 655	9 270 708	10 ea.
	600	9 270 604	9 270 657	9 270 710	10 ea.
	800	9 270 606	9 270 659	9 270 712	10 ea.
	900	9 270 607	9 270 660	9 270 713	10 ea.
	1000	9 270 608	9 270 661	9 270 714	10 ea.
	1200	9 270 609	9 270 662	9 270 715	10 ea.

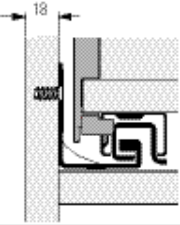
Cabinet body side thickness 19 mm	Cabinet body width mm	Order no. / Surface finish			PU
		silver	white	anthracite	
	300	9 255 547	9 255 600	9 255 653	10 ea.
	400	9 255 549	9 255 602	9 255 655	10 ea.
	450	9 255 551	9 255 604	9 255 657	10 ea.
	500	9 255 552	9 255 605	9 255 658	10 ea.
	600	9 255 553	9 255 606	9 255 659	10 ea.
	800	9 255 555	9 255 608	9 255 661	10 ea.
	900	9 255 556	9 255 609	9 255 662	10 ea.
	1000	9 255 557	9 255 610	9 255 663	10 ea.
	1200	9 255 558	9 255 611	9 255 664	10 ea.

AvanTech YOU double walled drawer system

- ▶ Rear panel
- ▶ Steel rear panel

Height 251 mm

Cabinet body side thickness 16 mm	Cabinet body width mm	Order no. / Surface finish			PU
		silver	white	anthracite	
	300	9 255 401	9 255 454	9 255 507	10 ea.
	400	9 255 403	9 255 456	9 255 509	10 ea.
	450	9 255 405	9 255 458	9 255 511	10 ea.
	500	9 255 406	9 255 459	9 255 512	10 ea.
	600	9 255 407	9 255 460	9 255 513	10 ea.
	800	9 255 409	9 255 462	9 255 515	10 ea.
	900	9 255 410	9 255 463	9 255 516	10 ea.
	1000	9 255 411	9 255 464	9 255 517	10 ea.
	1200	9 255 412	9 255 465	9 255 518	10 ea.

Cabinet body side thickness 18 mm	Cabinet body width mm	Order no. / Surface finish			PU
		silver	white	anthracite	
	300	9 270 611	9 270 664	9 270 717	10 ea.
	400	9 270 613	9 270 666	9 270 719	10 ea.
	450	9 270 614	9 270 667	9 270 720	10 ea.
	500	9 270 615	9 270 668	9 270 721	10 ea.
	600	9 270 617	9 270 670	9 270 723	10 ea.
	800	9 270 619	9 270 672	9 270 725	10 ea.
	900	9 270 620	9 270 673	9 270 726	10 ea.
	1000	9 270 621	9 270 674	9 270 727	10 ea.
	1200	9 270 622	9 270 675	9 270 728	10 ea.

Cabinet body side thickness 19 mm	Cabinet body width mm	Order no. / Surface finish			PU
		silver	white	anthracite	
	300	9 255 560	9 255 613	9 255 666	10 ea.
	400	9 255 562	9 255 615	9 255 668	10 ea.
	450	9 255 564	9 255 617	9 255 670	10 ea.
	500	9 255 565	9 255 618	9 255 671	10 ea.
	600	9 255 566	9 255 619	9 255 672	10 ea.
	800	9 255 568	9 255 621	9 255 674	10 ea.
	900	9 255 569	9 255 622	9 255 675	10 ea.
	1000	9 255 570	9 255 623	9 255 676	10 ea.
	1200	9 255 571	9 255 624	9 255 677	10 ea.

AvanTech YOU double walled drawer system

- ▶ Rear panel
- ▶ Aluminium profile / accessories

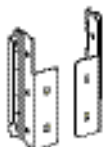
9 Rear panel profile for cutting to length



- ▶ **8** Connectors for rear panel profile can be ordered separately
- ▶ For variable and standard cabinet body widths
- ▶ Length 2000 mm
- ▶ Powder coated aluminium

Nominal height mm	Order no. / Surface finish			PU
	silver	white	anthracite	
77	9 257 299	9 257 304	9 257 309	1 ea.
101	9 257 300	9 257 305	9 257 310	1 ea.
139	9 257 301	9 257 306	9 257 311	1 ea.
187	9 257 302	9 257 307	9 257 312	1 ea.
251	9 257 303	9 257 308	9 257 313	1 ea.

8 Connector for rear panel profile



- ▶ Connector for customised rear panel / rear panel profile for cutting to length
- ▶ Power coated aluminium

Nominal height mm	Order no. / Surface finish / Hinge side						PU
	silver		white		anthracite		
	left	right	left	right	left	right	
101	9 257 666	9 257 667	9 257 678	9 257 679	9 257 690	9 257 691	20 ea.
139	9 257 668	9 257 669	9 257 680	9 257 681	9 257 692	9 257 693	20 ea.
187	9 257 670	9 257 671	9 257 682	9 257 683	9 257 694	9 257 695	20 ea.
251	9 257 672	9 257 673	9 257 684	9 257 685	9 257 696	9 257 697	20 ea.

AvanTech YOU double walled drawer system

- ▶ Front panel for internal drawer / internal pot-and-pan drawer
- ▶ Drawer side profile heights 101, 139, 187 mm

6 Front panel for internal drawer / internal pot-and-pan drawer



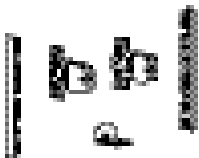
6 A Internal front profile for cutting to length



- ▶ **6 B** or **6 C** set of connectors for internal front panel must be ordered separately
- ▶ For variable and standard cabinet body widths
- ▶ Length 2000 mm
- ▶ Powder coated aluminium

Nominal height mm	Order no. / colour			PU
	silver	white	anthracite	
101	9 257 269	9 257 273	9 257 277	1 ea.
139	9 257 270	9 257 274	9 257 278	1 ea.
187	9 257 271	9 257 275	9 257 279	1 ea.

6 B Set of connectors for internal front profile for cutting to length, for use with drawer side profile



- ▶ For combining with **6 A** internal front profile for cutting to length
- ▶ Steel / plastic

Set comprises:

- ▶ 1 drawer front connector for drawer side profile, left and right
- ▶ 2 end caps
- ▶ 1 stabiliser for internal front panel
- ▶ Fixing material

Nominal height mm	Order no. / colour			PU
	silver	white	anthracite	
101	9 257 611	9 257 615	9 257 619	1 set
139	9 257 612	9 257 616	9 257 620	1 set
187	9 257 613	9 257 617	9 257 621	1 set

6 C Set of connectors for internal front profile for cutting to length, for use with Inlay drawer side profile



- ▶ For combining with **6 A** internal front profile for cutting to length
- ▶ Steel / plastic

Set comprises:

- ▶ 1 front connector for Inlay drawer side profile, left and right
- ▶ 2 end caps
- ▶ 1 stabiliser for internal front panel
- ▶ Fixing material

Nominal height mm	Order no. / colour			PU
	silver	white	anthracite	
187	9 257 623	9 257 625	9 257 627	1 set

AvanTech YOU double walled drawer system

- ▶ Front panel for internal drawer / internal pot-and-pan drawer
- ▶ Drawer side profile heights 101, 139, 187 mm

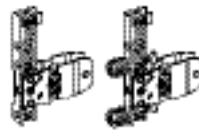
3 A Drawer front connector for drawer side profile, height 101 mm



- ▶ For screwing on or knocking in
- ▶ Steel

Mounting option	Order no.	PU
for screwing on	9 255 835	1/200 each
for knocking in	9 255 836	1/200 each

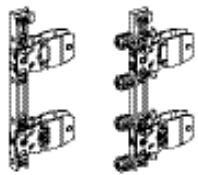
3 A Drawer front connector for drawer side profile, height 139 mm



- ▶ For screwing on or knocking in
- ▶ Steel

Mounting option	Order no.	PU
for screwing on	9 257 884	1/200 each
for knocking in	9 257 885	1/200 each

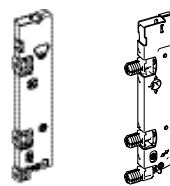
3 A Drawer front connector for drawer side profile, height 187 mm



- ▶ For screwing on or knocking in
- ▶ Steel

Mounting option	Order no.	PU
for screwing on	9 255 838	1/200 each
for knocking in	9 255 839	1/200 each

3 B Drawer front connector for Inlay drawer side profile, height 187 mm



- ▶ For screwing on or knocking in
- ▶ Steel

Mounting option	Order no.	PU
for screwing on	9 257 257	1/200 each
for knocking in	9 257 258	1/200 each

4 B Stabiliser for internal front panel



- ▶ For stabilising wide internal front panels
- ▶ Recommended from cabinet bodies in widths of 600 mm and over
- ▶ Plastic

Order no.	PU
9 257 641	100 ea.

Catch for front panel height 101 / 139 mm

- ▶ For screwing on
- ▶ Plastic

Set comprises:

- ▶ 1 catch
- ▶ 1 profile height increaser
- ▶ Fixing material

Nominal height mm	Order no. / colour			PU
	silver	white	anthracite	
101	9 257 734	9 257 735	9 257 736	1 set
139	9 268 674	9 268 675	9 268 676	1 set

End caps



- ▶ Side edge for internal front panel profile
- ▶ Plastic

Nominal height mm	Order no. / colour			PU
	silver	white	anthracite	
101	9 257 629	9 257 633	9 257 637	200 ea.
139	9 257 630	9 257 634	9 257 638	200 ea.
187	9 257 631	9 257 635	9 257 639	200 ea.

Notes

- ▶ AvanTech YOU drawer XX - XX
- ▶ AvanTech YOU pot-and-pan drawer XX - XX
- ▶ AvanTech YOU Inlay XX - XX
- ▶ Technical information XX - XX

- ▶ Actro YOU / Quadro YOU drawer runners

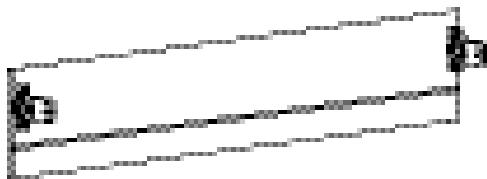
- ▶ Shop, technology and more: www.hettich.com/short/07e136



AvanTech YOU double walled drawer system

- ▶ Front panel for internal drawer
- ▶ Drawer side profile height 101 mm

6 D Front panel for internal drawer



- ▶ Available on request
- ▶ Preassembled for standard cabinet body widths
- ▶ With premounted drawer front connectors and end caps
- ▶ Powder coated aluminium

Internal front panel, preassembled, for height of 101 mm

Cabinet body side thickness 16 mm	Cabinet body width mm	Order no. / Surface finish			PU
		silver	white	anthracite	
	300	9 255 678	9 255 687	9 255 696	10 ea.
	400	9 255 679	9 255 688	9 255 697	10 ea.
	450	9 255 680	9 255 689	9 255 698	10 ea.
	500	9 255 681	9 255 690	9 255 699	10 ea.
	600	9 255 682	9 255 691	9 255 700	10 ea.
	800	9 255 683	9 255 692	9 255 701	10 ea.
	900	9 255 684	9 255 693	9 255 702	10 ea.
	1000	9 255 685	9 255 694	9 255 703	10 ea.
	1200	9 255 686	9 255 695	9 255 704	10 ea.

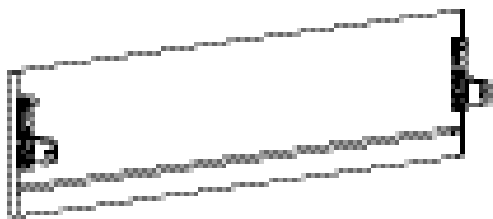
Cabinet body side thickness 18 mm	Cabinet body width mm	Order no. / Surface finish			PU
		silver	white	anthracite	
	300	9 257 368	9 257 377	9 257 386	10 ea.
	400	9 257 369	9 257 378	9 257 387	10 ea.
	450	9 257 370	9 257 379	9 257 388	10 ea.
	500	9 257 371	9 257 380	9 257 389	10 ea.
	600	9 257 372	9 257 381	9 257 390	10 ea.
	800	9 257 373	9 257 382	9 257 391	10 ea.
	900	9 257 374	9 257 383	9 257 392	10 ea.
	1000	9 257 375	9 257 384	9 257 393	10 ea.
	1200	9 257 376	9 257 385	9 257 394	10 ea.

Cabinet body side thickness 19 mm	Cabinet body width mm	Order no. / Surface finish			PU
		silver	white	anthracite	
	300	9 257 449	9 257 458	9 257 467	10 ea.
	400	9 257 450	9 257 459	9 257 468	10 ea.
	450	9 257 451	9 257 460	9 257 469	10 ea.
	500	9 257 452	9 257 461	9 257 470	10 ea.
	600	9 257 453	9 257 462	9 257 471	10 ea.
	800	9 257 454	9 257 463	9 257 472	10 ea.
	900	9 257 455	9 257 464	9 257 473	10 ea.
	1000	9 257 456	9 257 465	9 257 474	10 ea.
	1200	9 257 457	9 257 466	9 257 475	10 ea.

AvanTech YOU double walled drawer system

- ▶ Front panel for internal drawer
- ▶ Drawer side profile height 139 mm

6 D Front panel for internal drawer



- ▶ Available on request
- ▶ Preassembled for standard cabinet body widths
- ▶ With premounted drawer front connectors and end caps
- ▶ Powder coated aluminium

Internal front panel, preassembled, for height of 139 mm

Cabinet body side thickness 16 mm	Cabinet body width mm	Order no. / Surface finish			PU
		silver	white	anthracite	
	300	9 255 705	9 255 714	9 255 723	10 ea.
	400	9 255 706	9 255 715	9 255 724	10 ea.
	450	9 255 707	9 255 716	9 255 725	10 ea.
	500	9 255 708	9 255 717	9 255 726	10 ea.
	600	9 255 709	9 255 718	9 255 727	10 ea.
	800	9 255 710	9 255 719	9 255 728	10 ea.
	900	9 255 711	9 255 720	9 255 729	10 ea.
	1000	9 255 712	9 255 721	9 255 730	10 ea.
	1200	9 255 713	9 255 722	9 255 731	10 ea.

Cabinet body side thickness 18 mm	Cabinet body width mm	Order no. / Surface finish			PU
		silver	white	anthracite	
	300	9 257 395	9 257 404	9 257 413	10 ea.
	400	9 257 396	9 257 405	9 257 414	10 ea.
	450	9 257 397	9 257 406	9 257 415	10 ea.
	500	9 257 398	9 257 407	9 257 416	10 ea.
	600	9 257 399	9 257 408	9 257 417	10 ea.
	800	9 257 400	9 257 409	9 257 418	10 ea.
	900	9 257 401	9 257 410	9 257 419	10 ea.
	1000	9 257 402	9 257 411	9 257 420	10 ea.
	1200	9 257 403	9 257 412	9 257 421	10 ea.

Cabinet body side thickness 19 mm	Cabinet body width mm	Order no. / Surface finish			PU
		silver	white	anthracite	
	300	9 257 476	9 257 485	9 257 494	10 ea.
	400	9 257 477	9 257 486	9 257 495	10 ea.
	450	9 257 478	9 257 487	9 257 496	10 ea.
	500	9 257 479	9 257 488	9 257 497	10 ea.
	600	9 257 480	9 257 489	9 257 498	10 ea.
	800	9 257 481	9 257 490	9 257 499	10 ea.
	900	9 257 482	9 257 491	9 257 500	10 ea.
	1000	9 257 483	9 257 492	9 257 501	10 ea.
	1200	9 257 484	9 257 493	9 257 502	10 ea.

AvanTech YOU double walled drawer system

- ▶ Front panel for internal pot-and-pan drawer
- ▶ Drawer side profile height 187 mm

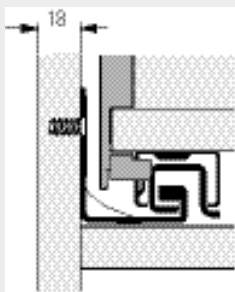
6 D Front panel for internal pot-and-pan drawer



- ▶ Available on request
- ▶ Preassembled for standard cabinet body widths
- ▶ With premounted drawer front connectors and end caps
- ▶ Powder coated aluminium

Internal front panel, preassembled, for height of 187 mm

Cabinet body side thickness 16 mm	Cabinet body width mm	Order no. / Surface finish			PU
		silver	white	anthracite	
	300	9 255 732	9 255 741	9 255 750	10 ea.
	400	9 255 733	9 255 742	9 255 751	10 ea.
	450	9 255 734	9 255 743	9 255 752	10 ea.
	500	9 255 735	9 255 744	9 255 753	10 ea.
	600	9 255 736	9 255 745	9 255 754	10 ea.
	800	9 255 737	9 255 746	9 255 755	10 ea.
	900	9 255 738	9 255 747	9 255 756	10 ea.
	1000	9 255 739	9 255 748	9 255 757	10 ea.
	1200	9 255 740	9 255 749	9 255 758	10 ea.

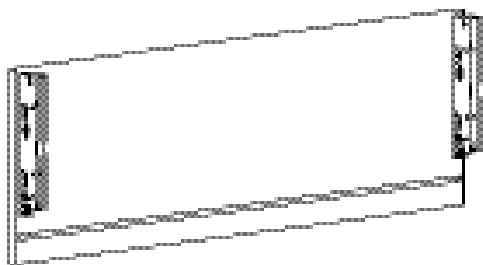
Cabinet body side thickness 18 mm	Cabinet body width mm	Order no. / Surface finish			PU
		silver	white	anthracite	
	300	9 257 422	9 257 431	9 257 440	10 ea.
	400	9 257 423	9 257 432	9 257 441	10 ea.
	450	9 257 424	9 257 433	9 257 442	10 ea.
	500	9 257 425	9 257 434	9 257 443	10 ea.
	600	9 257 426	9 257 435	9 257 444	10 ea.
	800	9 257 427	9 257 436	9 257 445	10 ea.
	900	9 257 428	9 257 437	9 257 446	10 ea.
	1000	9 257 429	9 257 438	9 257 447	10 ea.
	1200	9 257 430	9 257 439	9 257 448	10 ea.

Cabinet body side thickness 19 mm	Cabinet body width mm	Order no. / Surface finish			PU
		silver	white	anthracite	
	300	9 257 503	9 257 512	9 257 521	10 ea.
	400	9 257 504	9 257 513	9 257 522	10 ea.
	450	9 257 505	9 257 514	9 257 523	10 ea.
	500	9 257 506	9 257 515	9 257 524	10 ea.
	600	9 257 507	9 257 516	9 257 525	10 ea.
	800	9 257 508	9 257 517	9 257 526	10 ea.
	900	9 257 509	9 257 518	9 257 527	10 ea.
	1000	9 257 510	9 257 519	9 257 528	10 ea.
	1200	9 257 511	9 257 520	9 257 529	10 ea.

AvanTech YOU double walled drawer system

- ▶ Front panel for internal pot-and-pan drawer with Inlay drawer side profile
- ▶ Drawer side profile height 187 mm

6 D Front panel for internal pot-and-pan drawer with Inlay drawer side profile



- ▶ Available on request
- ▶ Preassembled for standard cabinet body widths
- ▶ With premounted drawer front connectors and end caps
- ▶ Powder coated aluminium

Internal front panel, preassembled, for Inlay drawer side profile height of 187 mm

Cabinet body side thickness 16 mm	Cabinet body width mm	Order no. / Surface finish			PU
		silver	white	anthracite	
	300	9 257 530	9 257 539	9 257 548	10 ea.
	400	9 257 531	9 257 540	9 257 549	10 ea.
	450	9 257 532	9 257 541	9 257 550	10 ea.
	500	9 257 533	9 257 542	9 257 551	10 ea.
	600	9 257 534	9 257 543	9 257 552	10 ea.
	800	9 257 535	9 257 544	9 257 553	10 ea.
	900	9 257 536	9 257 545	9 257 554	10 ea.
	1000	9 257 537	9 257 546	9 257 555	10 ea.
	1200	9 257 538	9 257 547	9 257 556	10 ea.

Cabinet body side thickness 18 mm	Cabinet body width mm	Order no. / Surface finish			PU
		silver	white	anthracite	
	300	9 257 557	9 257 566	9 257 575	10 ea.
	400	9 257 558	9 257 567	9 257 576	10 ea.
	450	9 257 559	9 257 568	9 257 577	10 ea.
	500	9 257 560	9 257 569	9 257 578	10 ea.
	600	9 257 561	9 257 570	9 257 579	10 ea.
	800	9 257 562	9 257 571	9 257 580	10 ea.
	900	9 257 563	9 257 572	9 257 581	10 ea.
	1000	9 257 564	9 257 573	9 257 582	10 ea.
	1200	9 257 565	9 257 574	9 257 583	10 ea.

Cabinet body side thickness 19 mm	Cabinet body width mm	Order no. / Surface finish			PU
		silver	white	anthracite	
	300	9 257 584	9 257 593	9 257 602	10 ea.
	400	9 257 585	9 257 594	9 257 603	10 ea.
	450	9 257 586	9 257 595	9 257 604	10 ea.
	500	9 257 587	9 257 596	9 257 605	10 ea.
	600	9 257 588	9 257 597	9 257 606	10 ea.
	800	9 257 589	9 257 598	9 257 607	10 ea.
	900	9 257 590	9 257 599	9 257 608	10 ea.
	1000	9 257 591	9 257 600	9 257 609	10 ea.
	1200	9 257 592	9 257 601	9 257 610	10 ea.

AvanTech YOU double walled drawer system

- ▶ Customisable front panel for internal pot-and-pan drawer
- ▶ Drawer side profile height 187 mm

7 Customisable front panel for internal drawer / pot-and-pan drawer



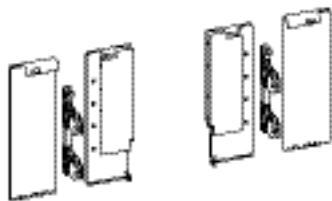
7 A Support profile for customisable internal front panel



- ▶ **7 B** or **7 C** Connector for customisable front panel must be ordered separately
- ▶ For using materials in a thickness of 10 mm (materials in a thickness of 8 mm: also see adapter)
- ▶ For variable and standard cabinet body widths
- ▶ Length 2000 mm
- ▶ Powder coated aluminium

Order no. / colour			PU
silver	white	anthracite	
9 257 663	9 257 664	9 257 665	1 ea.

7 B Set of connectors for customisable front panel, height 187 mm, for use with drawer side profile



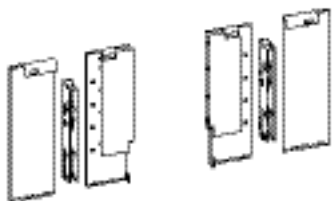
- ▶ **7 A** Support profile for customisable internal front panel must be ordered separately
- ▶ For combining with 10 mm glass inlay or any chosen material
- ▶ With premounted drawer front connector
- ▶ Powder coated steel

Set comprises:

- ▶ 1 connector for customisable internal front panel, left and right
- ▶ 1 drawer front connector for drawer side profile, left and right
- ▶ 1 cover cap, left and right
- ▶ Fixing material

Order no. / colour			PU
silver	white	anthracite	
9 257 651	9 257 652	9 257 653	1 set

7 C Connector for customisable front panel, height 187 mm, for use with Inlay drawer side profile



- ▶ **7 A** Support profile for customisable internal front panel must be ordered separately
- ▶ For combining with 10 mm glass inlay or any chosen material
- ▶ With premounted drawer front connector
- ▶ Powder coated steel

Set comprises:

- ▶ 1 connector for customisable internal front panel, left and right
- ▶ 1 front connector for Inlay drawer side profile, left and right
- ▶ 1 cover cap, left and right
- ▶ Fixing material

Order no. / colour			PU
silver	white	anthracite	
9 257 657	9 257 658	9 257 659	1 set

AvanTech YOU double walled drawer system

▶ Customisable front panel for internal pot-and-pan drawer

Adapter for customisable internal front panel

- ▶ For using material in a thickness of 8 mm
- ▶ 2 are required for each customisable internal front panel
- ▶ Plastic

Order no.	PU
9 268 678	2 ea.

Notes

- ▶ AvanTech YOU drawer XX - XX
- ▶ AvanTech YOU pot-and-pan drawer XX - XX
- ▶ AvanTech YOU Inlay XX - XX
- ▶ Technical information XX - XX
- ▶ Actro YOU / Quadro YOU drawer runners XX - XX
- ▶ Shop, technology and more: www.hettich.com/short/07e136





AvanTech YOU fascinates!

The AvanTech YOU drawer system provides a huge amount of design flexibility in terms of colour, shape and material, giving you the key to successfully turning your own furniture design ideas into reality. Incredibly easy to achieve with AvanTech YOU, whatever personal character you want a design to reflect is a matter for you to decide. With a simple click, designer profiles or DesignCapes conjure an accentuated, visual transformation. AvanTech YOU Inlay, the elegant drawer side profile with glass inlay, does away with the boundaries between space and

furniture and focuses the eye on furniture design. Printing your logo on the drawer side profile completes your design. With this versatile system, however, you can let your own imagination run free. With the option of using any chosen materials, your ideas become distinctive solutions that stand apart! Whether for use in the bathroom, living room or kitchen – your wishes are easily fulfilled with the broad diversity of this product range and the many different ways of creating furniture with a look of individuality.

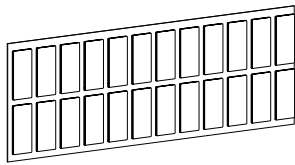
12 DesignCape



- **12 A** Fixing material has to be ordered separately
- For clipping on
- Length 2000 mm
- Aluminium

Nominal height mm	Order no. / Surface finish		PU
	Aluminium look	stainless steel look	
101	9 257 643	9 257 647	1 ea.
139	9 257 644	9 257 648	1 ea.
187	9 257 645	9 257 649	1 ea.

12 A Fixing material for fitting DesignCapes on the drawer side profile



- Fixing material for fitting DesignCapes on the drawer side profile

Order no.	PU
9 269 992	1 set

2 C Customisable designer profile



- Support for any chosen versions of the designer profile
- Length 2000 mm
- For clipping on
- Grey plastic with adhesive strip

Order no.	PU
9 255 831	1 ea.

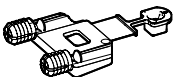
13 Branding clip



- Available on request with any chosen imprint or customer logo
- For clipping on
- Plastic, foil wrapped

Finish	Order no.	PU
silver with Hettich logo	9 257 703	1 ea.
white with Hettich logo	9 257 704	1 ea.
anthracite with Hettich logo	9 257 705	1 ea.

4 A Front stabiliser



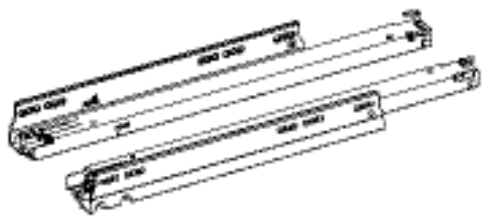
- For stabilising wide and / or high front panels
- Recommended for use in cabinet bodies in widths of 600 mm and over and / or front panel heights of 450 mm
- Plastic, anthracite

Order no.	PU
9 123 080	1/150 each

AvanTech YOU double walled drawer system

- ▶ Actro YOU drawer runner with Silent System
- ▶ For AvanTech YOU or wooden drawers

11 A Actro YOU drawer runner with Silent System



- ▶ Full extension runner for combining with AvanTech YOU system drawer or wooden drawer with catches
- ▶ Integrated Silent System
- ▶ Optionally upgradable with Push to open Silent
- ▶ Load capacity 10 / 40 / 70 kg
- ▶ Load capacity to EN 15338, Level 3
- ▶ Galvanised steel

Load class S (10 kg)

Nominal length	Order no. / Hinge side		PU
	left	right	
270	9 256 959	9 256 960	10 ea.
300	9 256 961	9 256 962	10 ea.
350	9 256 965	9 256 966	10 ea.

Load class L (40 kg)

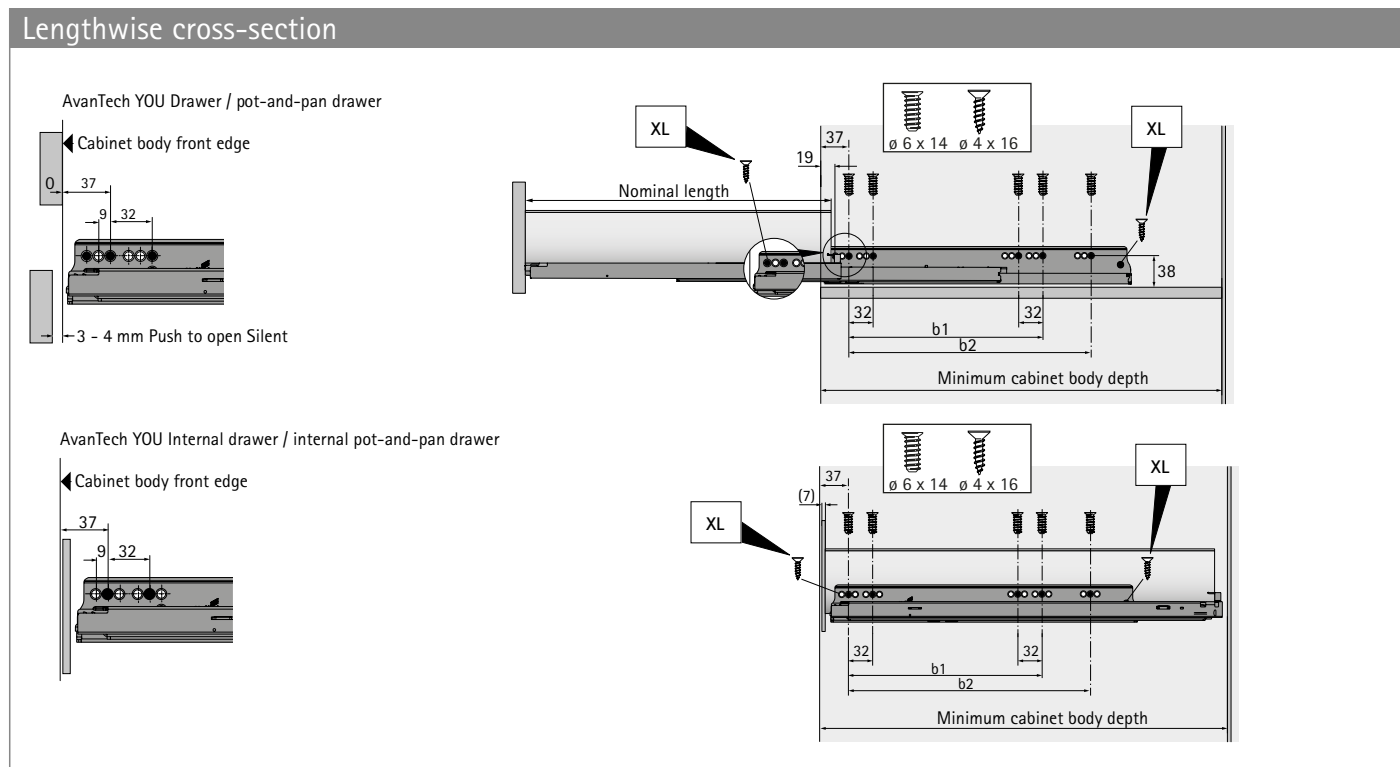
Nominal length	Order no. / Hinge side		PU
	left	right	
270	9 256 974	9 256 975	10 ea.
300	9 256 976	9 256 977	10 ea.
350	9 256 980	9 256 981	10 ea.
400	9 256 984	9 256 985	10 ea.
450	9 256 988	9 256 989	10 ea.
500	9 256 992	9 256 993	10 ea.
550	9 256 996	9 256 997	10 ea.
600	9 268 679	9 268 680	10 ea.

Load class XL (70 kg)

Nominal length	Order no. / Hinge side		PU
	left	right	
450	9 257 013	9 257 014	10 ea.
500	9 257 017	9 257 018	10 ea.
550	9 257 021	9 257 022	10 ea.
600	9 257 025	9 257 026	10 ea.
650	9 257 027	9 257 028	5 ea.

AvanTech YOU double walled drawer system

- ▶ Actro YOU drawer runner with Silent System
- ▶ For AvanTech YOU or wooden drawers

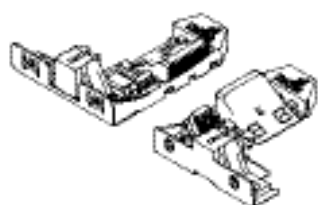


Installation dimensions with Silent System / Push to open Silent

Nominal length mm	Hole spacing b1 mm	Hole spacing b2 mm*	Drawer / pot-and-pan drawer Minimum cabinet body depth mm	Internal drawer / internal pot-and-pan drawer Minimum cabinet body depth mm
270	160		273	282
300	160		303	312
350	224		353	362
400	224		403	412
450	256	288	453	462
500	256	320	503	512
550	256	320	553	562
600	256	320	603	612
650	256	416	653	662

* Hole spacing b2 only for Actro XL

Actro YOU catch



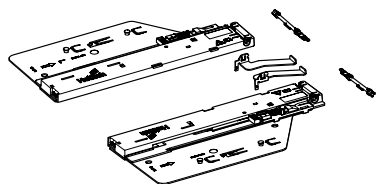
- ▶ For using Actro YOU with wooden drawers
- ▶ Height adjustment up to + 3 mm
- ▶ Zinc die-cast / plastic

Cabinet side	Order no.	PU
left / right	9 257 265	1 pair
left	9 257 263	100 ea.
right	9 257 264	100 ea.

AvanTech YOU double walled drawer system

► Push to open Silent opening system for Actro YOU

Push to open Silent opening system for Actro YOU



- Can be used with AvanTech YOU system drawer on Actro YOU drawer runner with Silent System
- Optional synchronisation possible

Set comprises:

- 1 Push to open Silent unit, left and right
- 1 activator, left and right
- 2 adapters for synchronisation

Total weight kg	Load class Actro kg	Nominal length mm	Order no.	PU
< 10	10	270 - 350	9 257 890	1 set
8 - 20	40	270 - 650	9 257 891	1 set
10 - 40	40	270 - 650	9 257 892	1 set
20 - 70	70	400 - 650	9 257 893	1 set

Optional synchronisation for Push to open Silent



- Recommended for cabinet bodies in widths of 600 mm and over

Synchronisation bar:

- For cutting to length
- Length 2000 mm
- Aluminium anodised

Connector:

- For connecting 2 synchronisation bars
- Plastic, grey.

Article	Order no.	PU
1 synchronisation bar	9 236 718	1/100 each
2 connectors	9 221 295	1/20 each

AvanTech YOU double walled drawer system

► Push to open Silent opening system for Actro YOU

Recommendation for drawer (front panel height up to approx. 150 mm)*

Nominal length mm	Nominal width mm											
	275	300	350	400	500	600	700	800	900	1000	1100	1200
270												
300												
350												
400												
450												
500												
550												
650												

Recommendation for pot-and-pan drawer (front panel height up to approx. 300 mm, carrying medium load)*

Nominal length mm	Nominal width mm											
	275	300	350	400	500	600	700	800	900	1000	1100	1200
270												
300												
350												
400												
450												
500												
550												
650												

Recommendation for pot-and-pan drawer (front panel height up to approx. 300 mm, carrying heavy load, e.g. with stacks of plates)*

Nominal length mm	Nominal width mm											
	275	300	350	400	500	600	700	800	900	1000	1100	1200
270												
300												
350												
400												
450												
500												
550												
650												

Order no. Push to open Silent:

9 257 890

9 257 891

9 257 892

9 257 893

* Recommendations for applications (front panel 19 mm chipboard, normal household loading), please refer to our online configurator to get more exact recommendations for customer chosen front panel dimensions and materials.

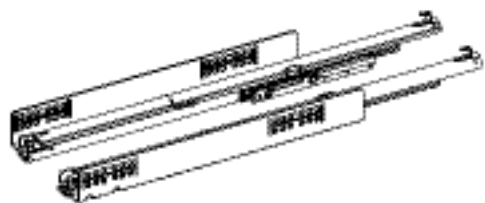


Further information:
<https://www.hettich.com/short/8815e9>

AvanTech YOU double walled drawer system

- ▶ **Quadro YOU drawer runner with Silent System**
- ▶ **For AvanTech YOU or wooden drawers**

11 B Quadro YOU drawer runner with Silent System



- ▶ Full extension runner for combining with AvanTech YOU system drawer or wooden drawer with catches
- ▶ Integrated Silent System
- ▶ Optionally upgradable with Push to open Silent
- ▶ Load capacity 10 / 30 kg
- ▶ Load capacity to EN 15338, Level 3
- ▶ Galvanised steel

Load class S (10 kg)

Nominal length	Order no. / Hinge side		PU
	left	right	
270	9 256 944	9 256 945	20 ea.
300	9 256 946	9 256 947	20 ea.
350	9 256 950	9 256 951	20 ea.

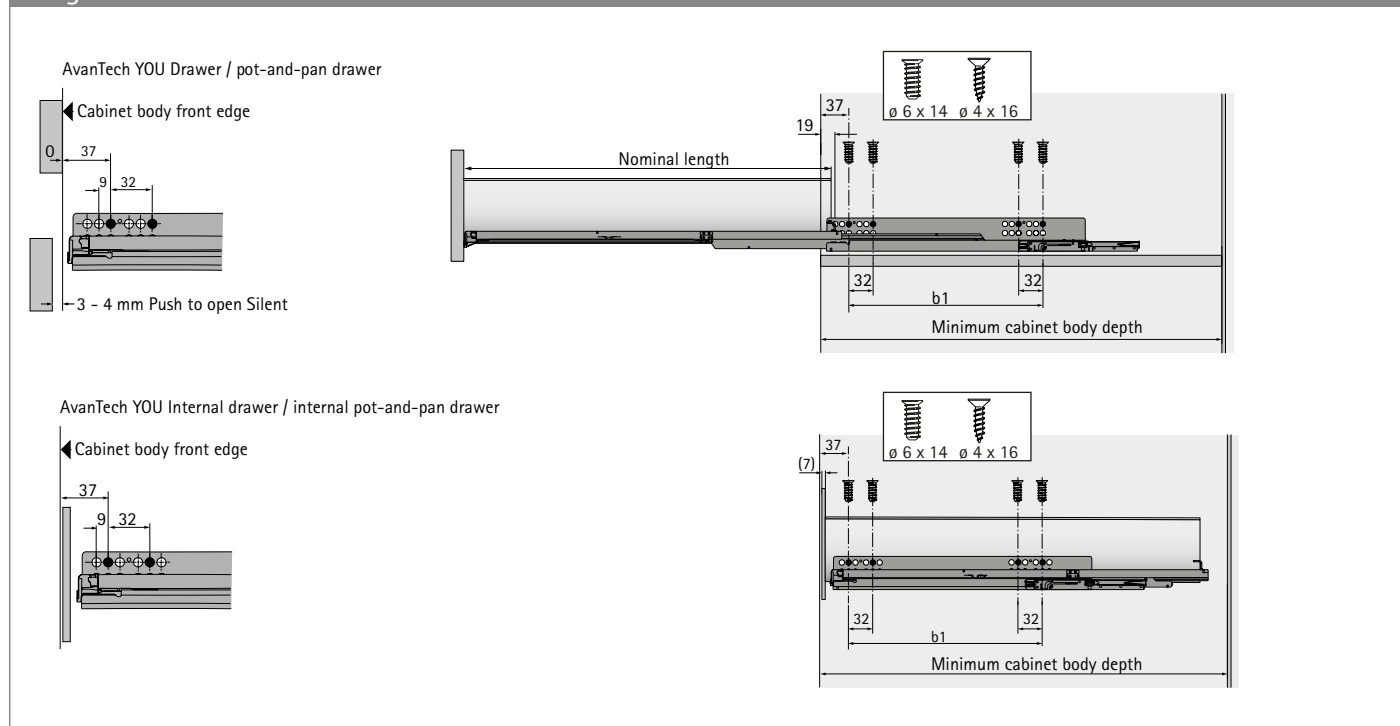
Load class M (30 kg)

Nominal length mm	Order no. / Hinge side		PU
	left	right	
270	9 256 854	9 256 855	20 ea.
300	9 256 856	9 256 857	20 ea.
350	9 256 860	9 256 861	20 ea.
400	9 256 864	9 256 865	20 ea.
450	9 256 868	9 256 869	20 ea.
500	9 256 872	9 256 873	20 ea.
550	9 256 876	9 256 877	20 ea.
600	9 256 880	9 256 881	20 ea.

AvanTech YOU double walled drawer system

- ▶ Quadro YOU drawer runner with Silent System
- ▶ For AvanTech YOU or wooden drawers

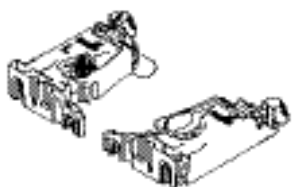
Lengthwise cross-section



Installation dimensions with Silent System / Push to open Silent

Nominal length mm	Hole spacing b1 mm	Drawer / pot-and-pan drawer Minimum cabinet body depth mm	Internal drawer / internal pot-and-pan drawer Minimum cabinet body depth mm
270	160	273	282
300	160	303	312
350	224	353	362
400	224	403	412
450	256	453	462
500	256	503	512
550	256	553	562
600	256	603	612

Quadro YOU catch



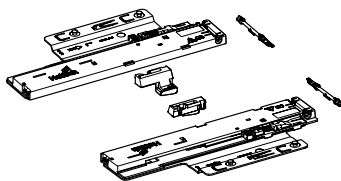
- ▶ For using Quadro YOU with wooden drawers
- ▶ Height adjustment up to + 3 mm
- ▶ Plastic

Cabinet side	Order no.	PU
left / right	9 257 262	1 pair
left	9 257 260	100 ea.
right	9 257 261	100 ea.

AvanTech YOU double walled drawer system

► Push to open Silent opening system for Quadro YOU

Push to open Silent opening system for Quadro YOU



- Can be used with AvanTech YOU system drawer on Quadro YOU drawer runner with Silent System
- Optional synchronisation possible

Set comprises:

- 1 Push to open Silent unit, left and right
- 1 activator, left and right
- 2 adapters for synchronisation

Total weight kg	Load class Quadro kg	Nominal length mm	Order no.	PU
< 10	10	270 - 350	9 257 894	1 set
8 - 20	30	270 - 600	9 257 895	1 set
10 - 30	30	350 - 600	9 257 896	1 set

Optional synchronisation for Push to open Silent



- Recommended for cabinet bodies in widths of 600 mm and over

Synchronisation bar:

- For cutting to length
- Length 2000 mm
- Aluminium anodised

Connector:

- For connecting 2 synchronisation bars
- Plastic, grey.

Article	Order no.	PU
1 synchronisation bar	9 236 718	1/100 each
2 connectors	9 221 295	1/20 each

AvanTech YOU double walled drawer system

► Push to open Silent opening system for Quadro YOU

Recommendation for drawer (front panel height up to approx. 150 mm, light loading)*

Nominal length mm	Nominal width mm												
	275	300	350	400	450	500	550	600	700	800	900	1000	1200
270													
300													
350													
400													
450													
500													
550													
600													

Recommendation for pot-and-pan drawer (front panel height up to approx. 300 mm, medium duty loading)*

Nominal length mm	Nominal width mm												
	275	300	350	400	450	500	550	600	700	800	900	1000	1200
270													
300													
350													
400													
450													
500													
550													
600													

Recommendation for pot-and-pan drawer, heavy duty (front panel height up to approx. 300 mm, heavy duty loading, e.g. with stacks of plates)*

Nominal length mm	Nominal width mm												
	275	300	350	400	450	500	550	600	700	800	900	1000	1200
270													
300													
350													
400													
450													
500													
550													
600													

Order no. Push to open Silent:

9 257 894

9 257 895

9 257 896

* Recommendations for applications (front panel 19 mm chipboard, normal household loading), please refer to our online configurator to get more exact recommendations for customer chosen front panel dimensions and materials.

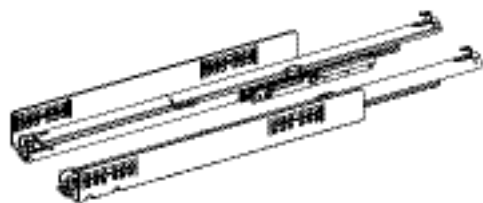


Further information:
<https://www.hettich.com/short/8815e9>

AvanTech YOU double walled drawer system

- ▶ Quadro YOU drawer runner with Push to open
- ▶ For AvanTech YOU or wooden drawers

11 B Quadro YOU drawer runner with Push to open



- ▶ Full extension runner for combining with AvanTech YOU system drawer or wooden drawer with catches
- ▶ Integrated Push to open opening mechanism
- ▶ Optionally upgradable with synchronisation
- ▶ Load capacity 30 kg
- ▶ Load capacity to EN 15338, Level 3
- ▶ Galvanised steel

Load class M (30 kg)

Nominal length mm	Order no. / Hinge side		PU
	left	right	
270	9 256 899	9 256 900	20 ea.
300	9 256 901	9 256 902	20 ea.
350	9 256 905	9 256 906	20 ea.
400	9 256 909	9 256 910	20 ea.
450	9 256 913	9 256 914	20 ea.
500	9 256 917	9 256 918	20 ea.
550	9 256 921	9 256 922	20 ea.
600	9 256 925	9 256 926	20 ea.

Synchronisation for Quadro Push to open



- ▶ Use recommended on cabinet bodies in a width of 600 mm and over
- ▶ For nominal lengths of 250 - 600 mm
- ▶ Synchronisation bar for cutting to length, up to max. cabinet body width of 2000 mm, can be extended with connector
- ▶ Cannot be used with Quadro partial extension runners

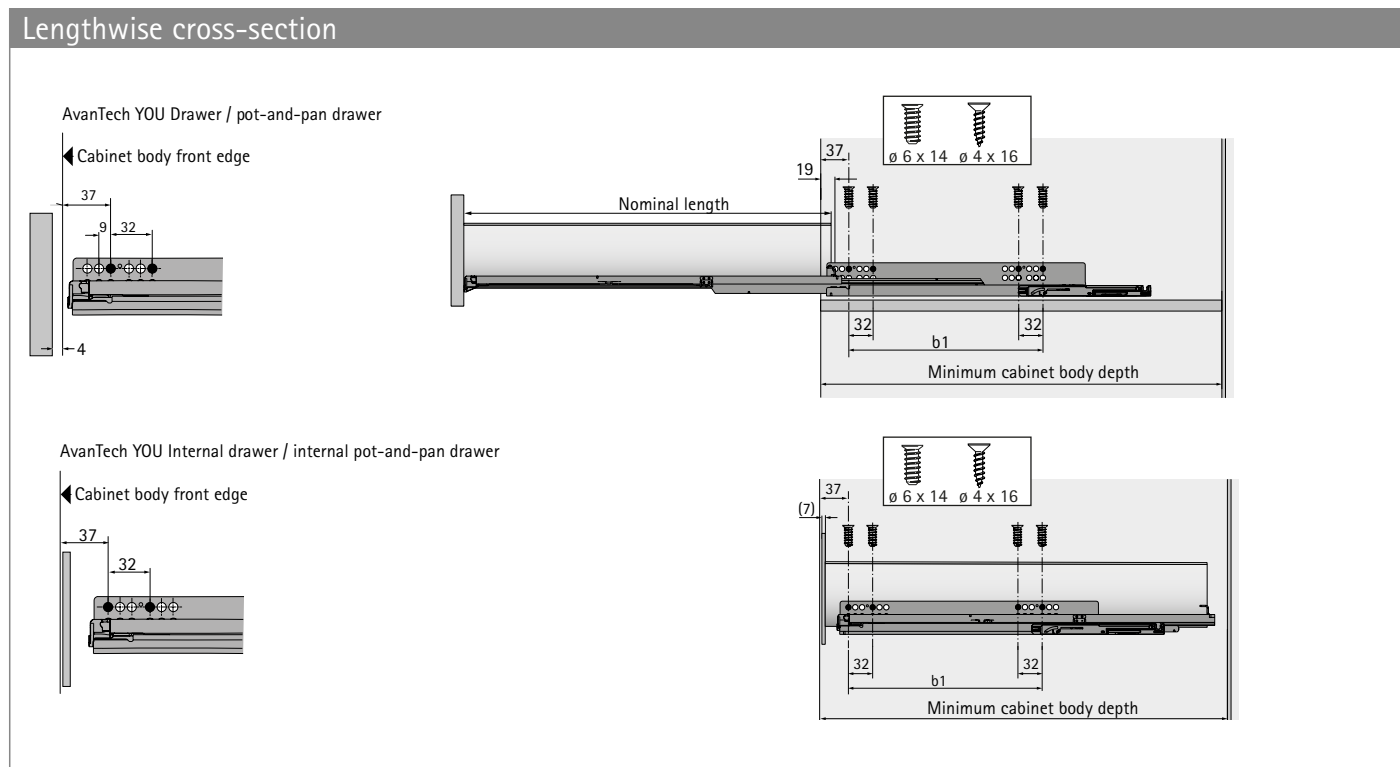
The following items are required for use:

- ▶ 1 synchronisation bar
- ▶ 2 adapters
- ▶ Waste can be minimised using the connector

Article	Order no.	PU
1 Synchronisation bar	9 236 718	1/100 ea.
2 Adapter, type A	9 219 966	1/200 ea.
3 Connector	9 221 295	1/20 ea.

AvanTech YOU double walled drawer system

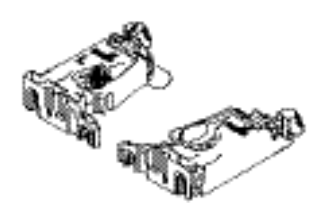
- ▶ Quadro YOU drawer runner with Push to open
- ▶ For AvanTech YOU or wooden drawers



Installation dimensions with Silent System / Push to open Silent

Nominal length mm	Hole spacing b1 mm	Drawer / pot-and-pan drawer Minimum cabinet body depth mm	Internal drawer / internal pot-and-pan drawer Minimum cabinet body depth mm
270	160	273	291
300	160	303	321
350	224	353	371
400	224	403	421
450	256	453	471
500	256	503	521
550	256	553	571
600	256	603	621

Quadro YOU catch



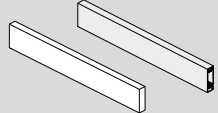
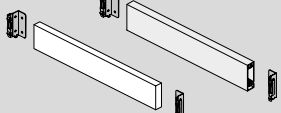
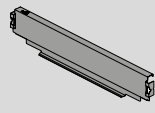
- ▶ For using Quadro YOU with wooden drawers
- ▶ Height adjustment up to + 3 mm
- ▶ Plastic

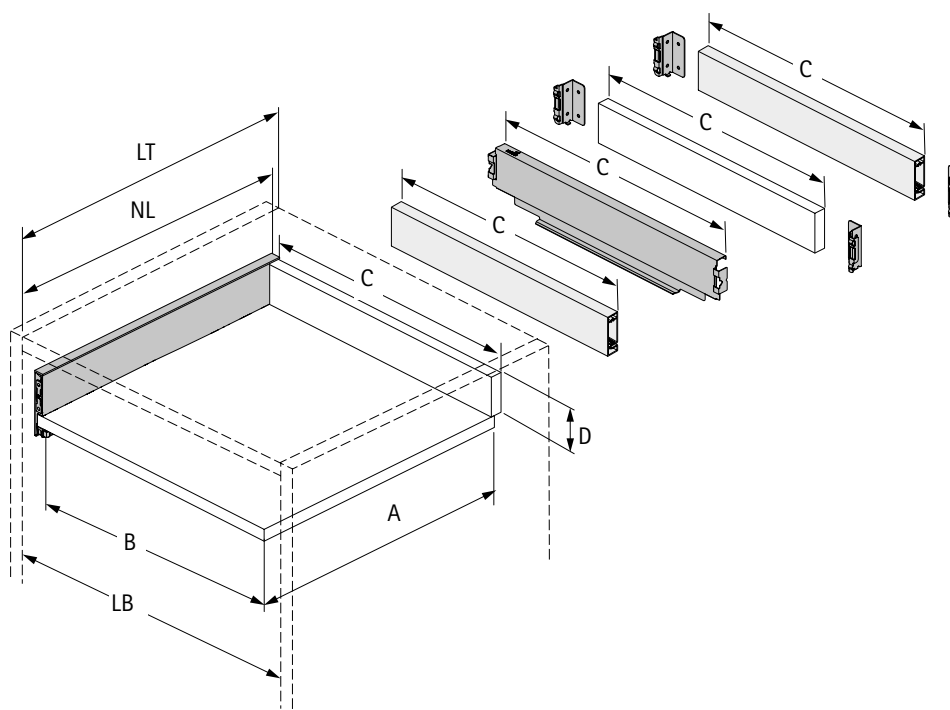
Cabinet side	Order no.	PU
left / right	9 257 262	1 pair
left	9 257 260	100 ea.
right	9 257 261	100 ea.

AvanTech YOU double walled drawer system

► Planning / installation dimensions

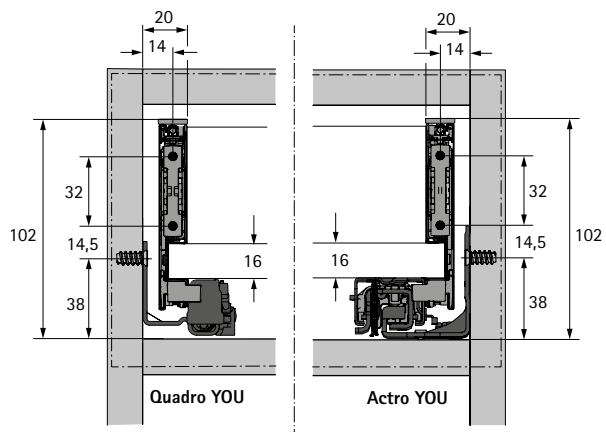
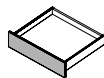
Planning / installation dimensions

			
A	NL - 21		
B	LB - 24		
C	LB - 24	LB - 41	-
D H 101	54	54	-
D H 139	92	92	-
D H 187	140,5	140,5	-
D H 251	204,5	204,5	-

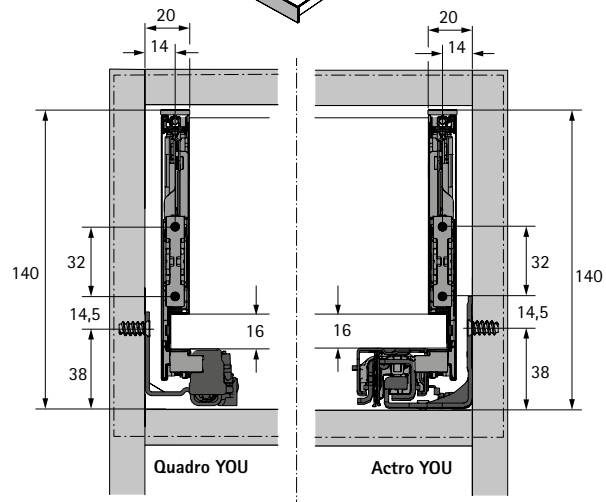
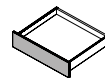


Planning / installation dimensions

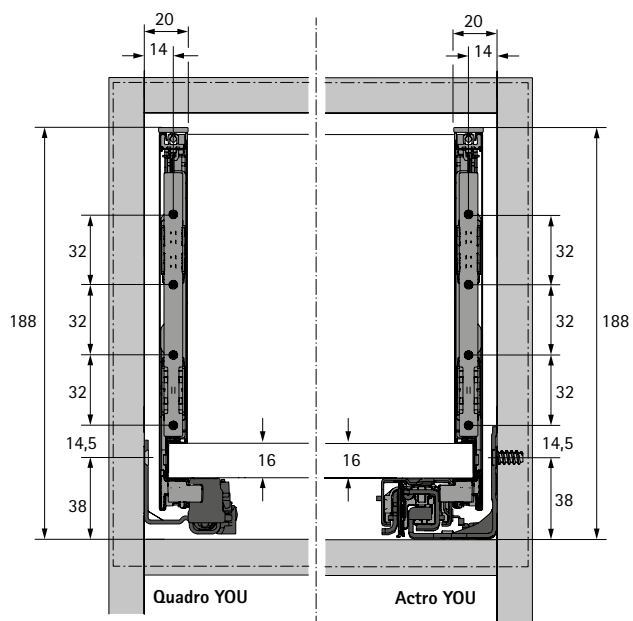
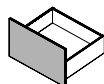
H 101



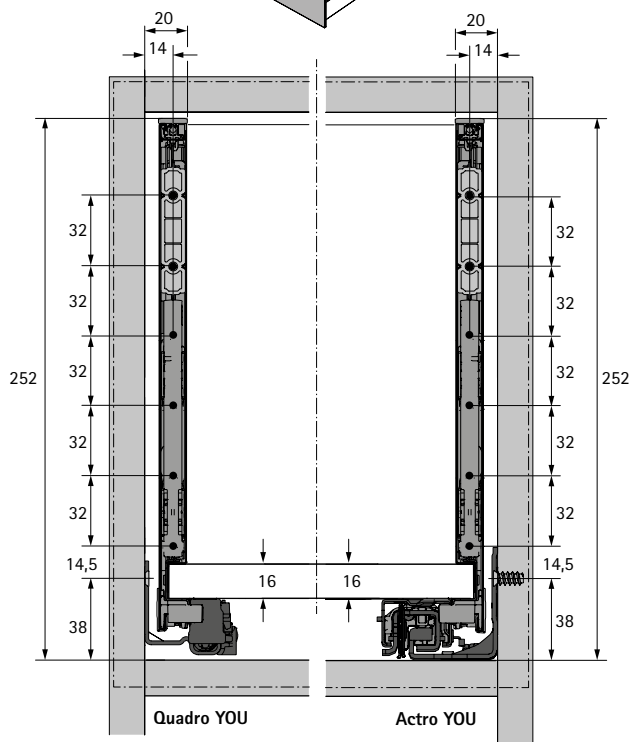
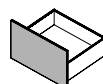
H 139



H 187



H 251

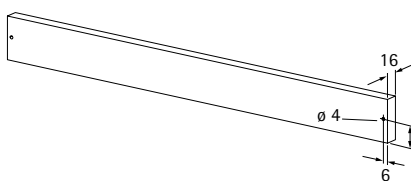
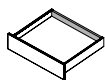


AvanTech YOU double walled drawer system

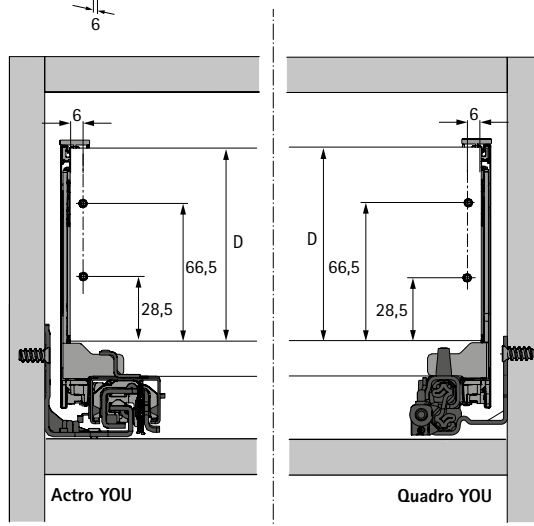
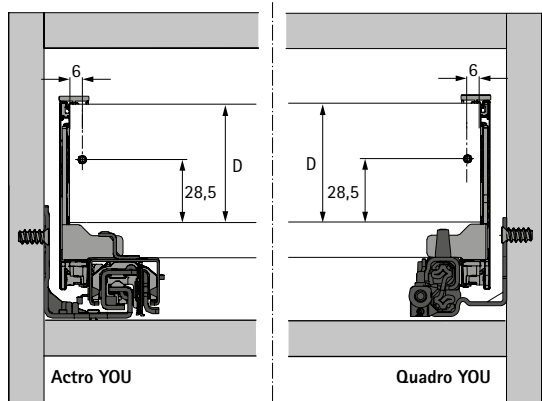
► Planning / installation dimensions

Planning / installation dimensions

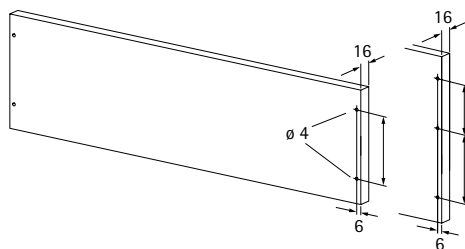
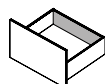
H 101



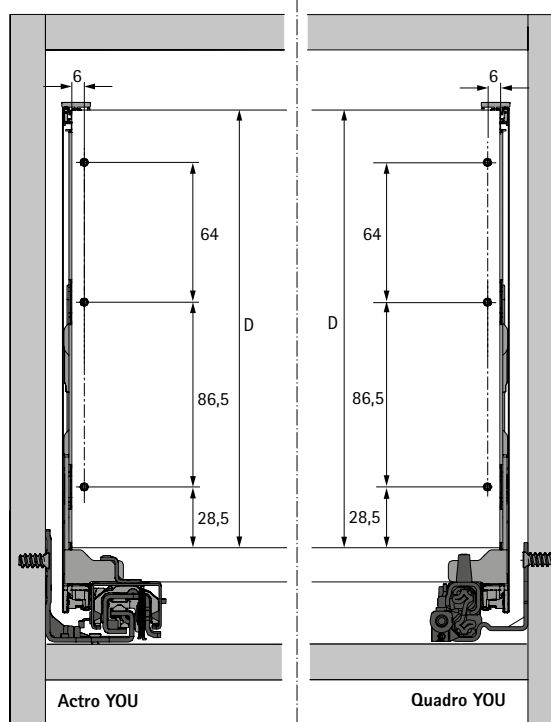
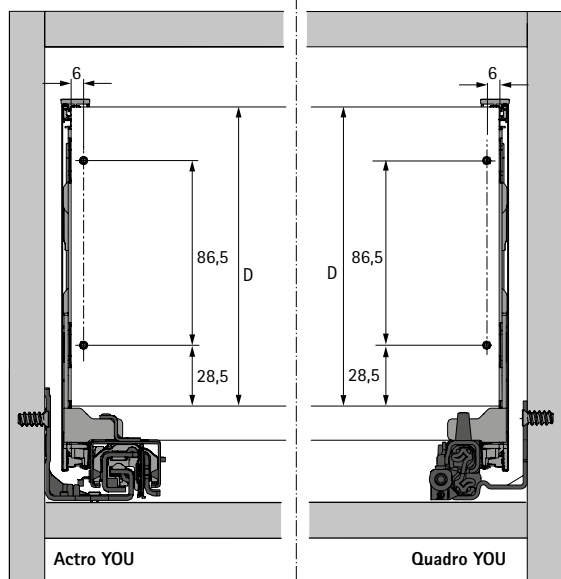
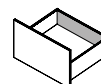
H 139



H 187

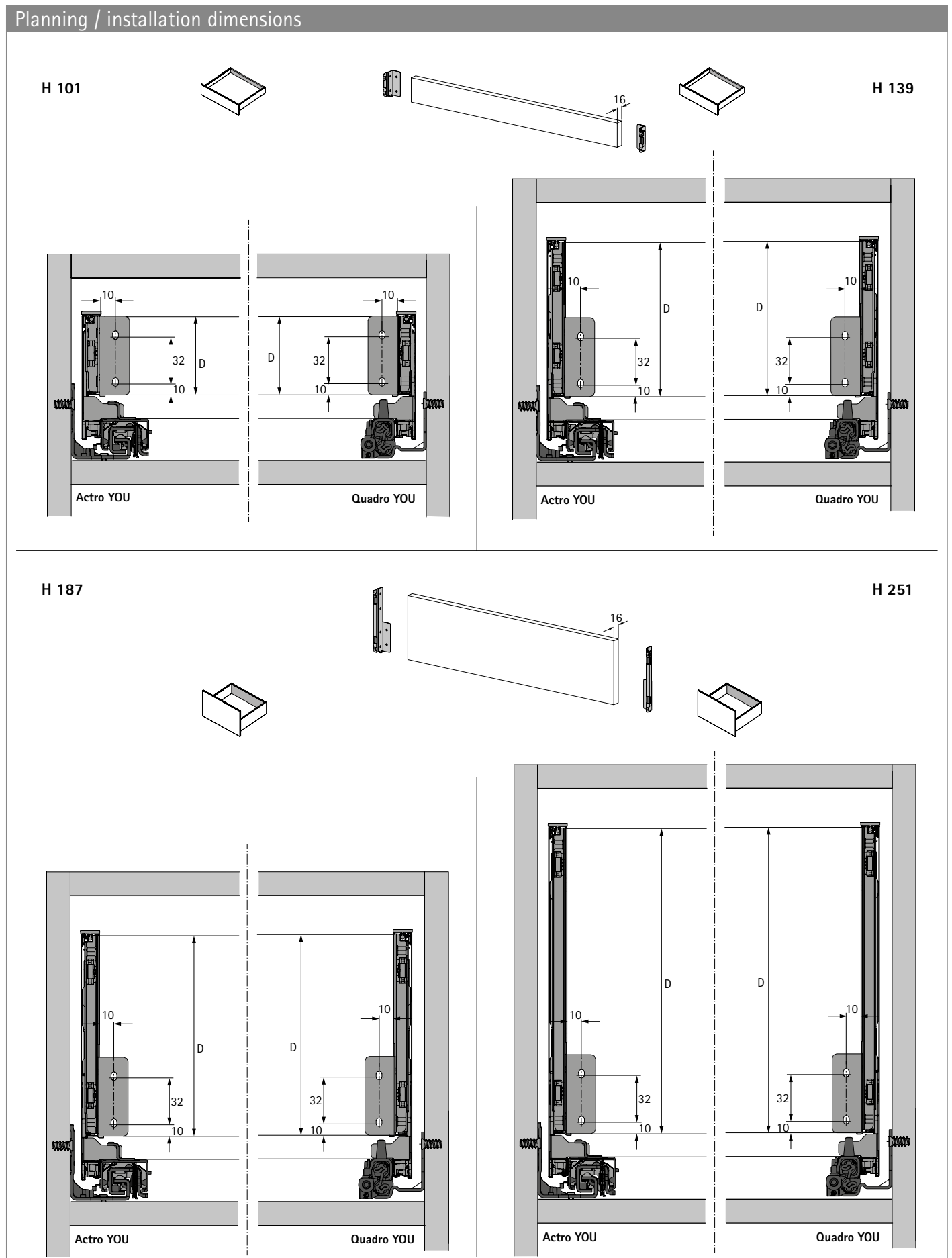


H 251

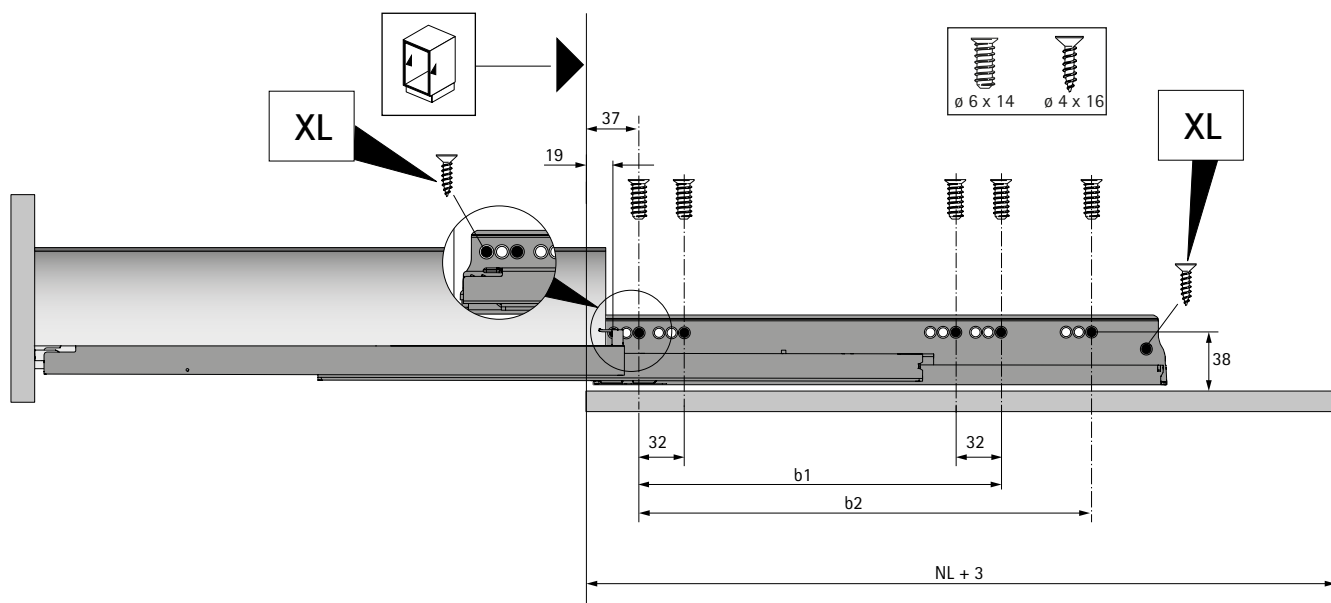


AvanTech YOU double walled drawer system

► Planning / installation dimensions



Planning / installation dimensions



NL mm	Actro YOU Quadro YOU b1 mm	Actro YOU XL b2 mm	Quadro YOU		Actro YOU		
			S	M	S	L	XL
270	160						
300	160						
350	224						
400	224						
450	256	288					
500	256	320					
550	256	320					
600	256	320					
650	256	416					

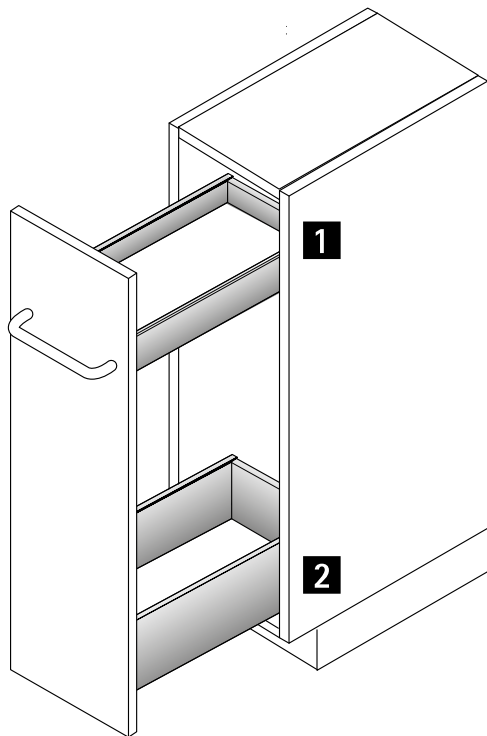
AvanTech YOU double walled drawer system

▶ Example application with narrow base unit



- ▶ Cabinet body height 750 mm max.
- ▶ Cabinet body width 300 mm max.
- ▶ Actro YOU drawer runner is required on the left and right, mounted diagonally
- ▶ Total load capacity 20 kg max.
- ▶ Other configurations are also possible

Example application



No.	Application	see pages
1	AvanTech YOU drawer	10
	Actro YOU with Silent System	36
2	AvanTech YOU pot-and-pan drawer	14
	Actro YOU with Silent System	36

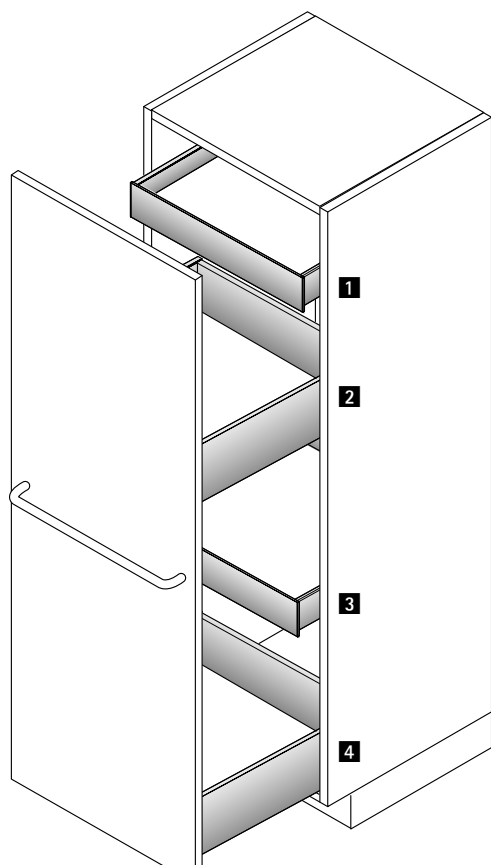
AvanTech YOU double walled drawer system

▶ Example application with tall unit



- For individual cabinet body heights and widths
- ▶ Optimum use of storage space
- ▶ Recommended cabinet body widths 300 - 600 mm
- ▶ Other configurations are also possible

Example application



No.	Application	see pages
1	AvanTech YOU internal drawer	26
	Actro YOU with Silent System	36
2	AvanTech YOU pot-and-pan drawer	14
	Actro YOU with Silent System	36
3	AvanTech YOU internal drawer	26
	Actro YOU with Silent System	36
4	AvanTech YOU pot-and-pan drawer	14
	Actro YOU with Silent System	36

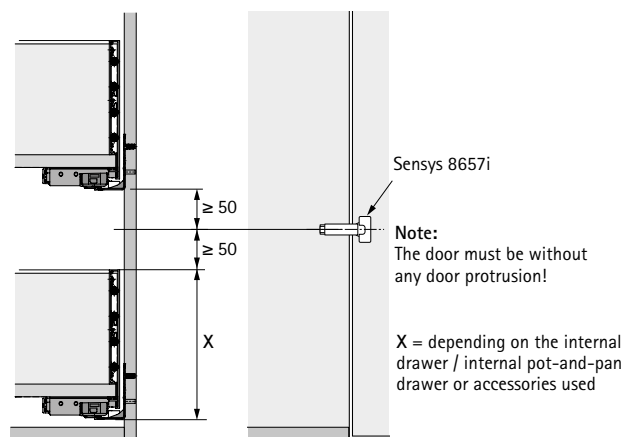
AvanTech YOU double walled drawer system

▶ Example application with larder unit

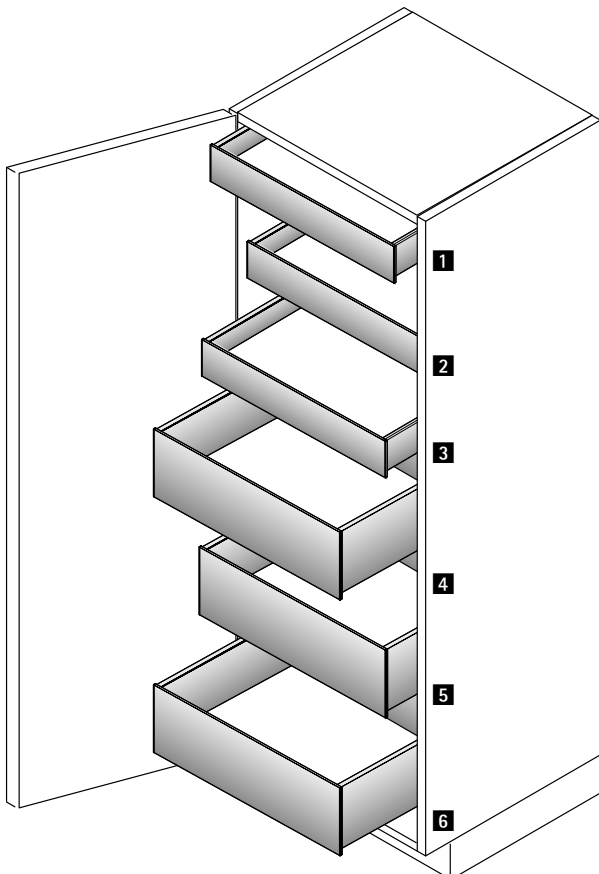


For individual cabinet body heights and widths

- ▶ Optimum use of storage space
- ▶ Recommended cabinet body widths: 450 - 1200 mm, with 2 hinged doors for cabinet bodies wider than 600 mm
- ▶ Recommended hinge: Sensys 8657i fast assembly concealed hinge
- ▶ Other configurations are also possible



Example application



No.	Application	see pages
1	AvanTech YOU internal drawer	26
	Actro YOU with Silent System	36
2	AvanTech YOU internal drawer	26
	Actro YOU with Silent System	36
3	AvanTech YOU internal drawer	26
	Actro YOU with Silent System	36
4	AvanTech YOU internal pot-and-pan drawer	26
	Actro YOU with Silent System	36
5	AvanTech YOU internal pot-and-pan drawer	26
	Actro YOU with Silent System	36
6	AvanTech YOU internal pot-and-pan drawer	26
	Actro YOU with Silent System	36

Drawer runners for wooden drawers

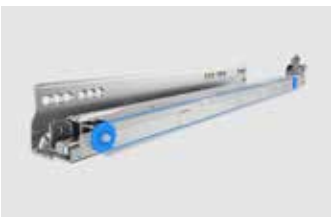
▶ Actro 5D drawer runners



Precision that gets things moving

The Actro 5D drawer runner is simply the perfect choice for unique furniture design, narrow reveals and large front panels. Adjusting in 5 directions, front panel reveal

alignment meets the most exacting demands. Excellent running performance and incredible stability provide supreme quality you can feel and hear.



Make a great impact with smooth running action:
Actro 5D, smooth running and synchronised



Fascinate with minimal reveals:
5-way adjustment for extremely narrow reveals



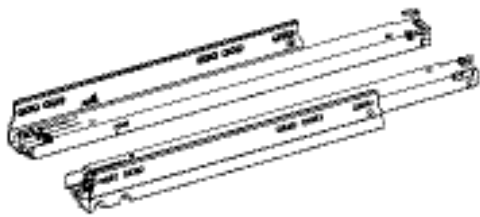
Impress with stability:
Up to 70 kg load capacity



Effortlessly handleless:
Push to open Silent combines elegance with convenience

Drawer runners for wooden drawers

▶ Actro 5D full extension runner with Silent System, optionally with Push to open Silent



- ▶ **Silent System** - the integrated Silent System closes the drawer quietly and gently
- ▶ Catch for convenient slide on installation must be ordered separately
- ▶ Tool-less, intuitive height adjustment up to + 3 mm, side adjustment up to +/- 1.5 mm, radial adjustment up to +/- 1.5 mm and tilt adjustment + 4 mm
- ▶ Optional: depth adjustment up to +/- 2 mm,
- ▶ Optional: Push to open Silent opening system
- ▶ Load capacity to EN 15338, Level 3
- ▶ Galvanised steel, suitable for rooms exposed to moisture

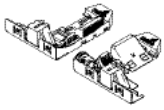
Load classes S / L / XL (10 / 40 / 70 kg)

Nominal length / drawer length NL mm	Order no. / Load class / Hinge side						PU
	S (10 kg)		L (40 kg)		XL (70 kg)		
	left	right	left	right	left	right	
250	9 257 044	9 257 045	9 257 059	9 257 060			10 ea.
270	9 257 046	9 257 047	9 257 061	9 257 062			10 ea.
300	9 257 048	9 257 049	9 257 063	9 257 064			10 ea.
320	9 257 050	9 257 051	9 257 065	9 257 066			10 ea.
350	9 257 052	9 257 053	9 257 067	9 257 068			10 ea.
380			9 257 069	9 257 070			10 ea.
400			9 257 071	9 257 072			10 ea.
420			9 257 073	9 257 074			10 ea.
450			9 257 075	9 257 076	9 257 100	9 257 101	10 ea.
480			9 257 077	9 257 078			10 ea.
500			9 257 079	9 257 080	9 257 104	9 257 105	10 ea.
520			9 257 081	9 257 082	9 257 106	9 257 107	10 ea.
550			9 257 083	9 257 084	9 257 108	9 257 109	10 ea.
580					9 257 110	9 257 111	10 ea.
600			9 268 682	9 268 683	9 257 112	9 257 113	10 ea.
650					9 257 114	9 257 115	5 ea.
700					9 257 116	9 257 117	5 ea.
750					9 257 118	9 257 119	5 ea.

Drawer runners for wooden drawers

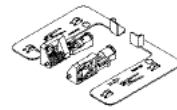
▶ Actro 5D full extension runner with Silent System, optionally with Push to open Silent

Actro 5D catch



- ▶ Tool-less, intuitive side adjustment up to +/- 1.5 mm
- ▶ Height adjustment up to + 3 mm
- ▶ Zinc die-cast / plastic

Depth adjustment



- ▶ Tool-less installation and adjustment up to + 4 mm
- ▶ For optional use with inset front panels
- ▶ Plastic, grey

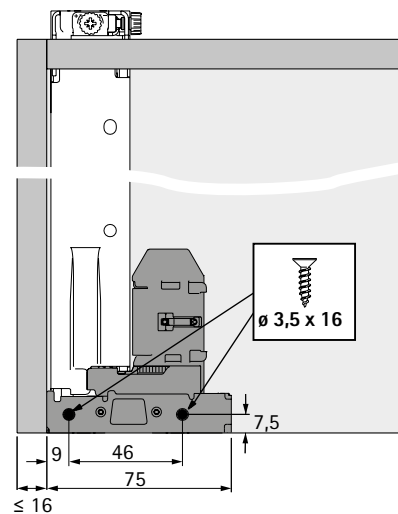
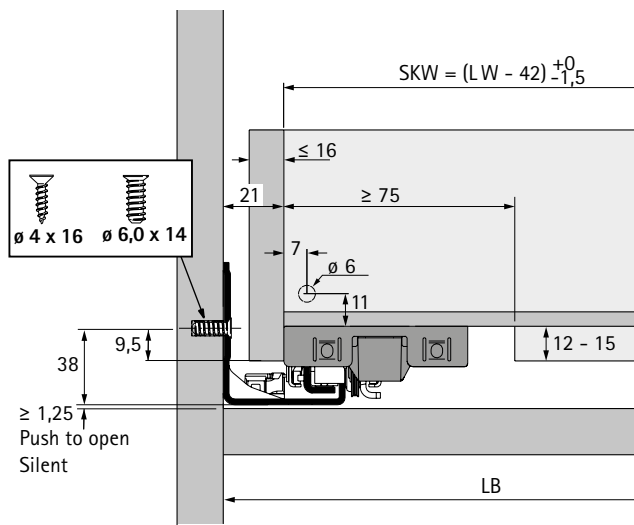
Set comprises:

- ▶ 2 depth adjusters
- ▶ 2 activators

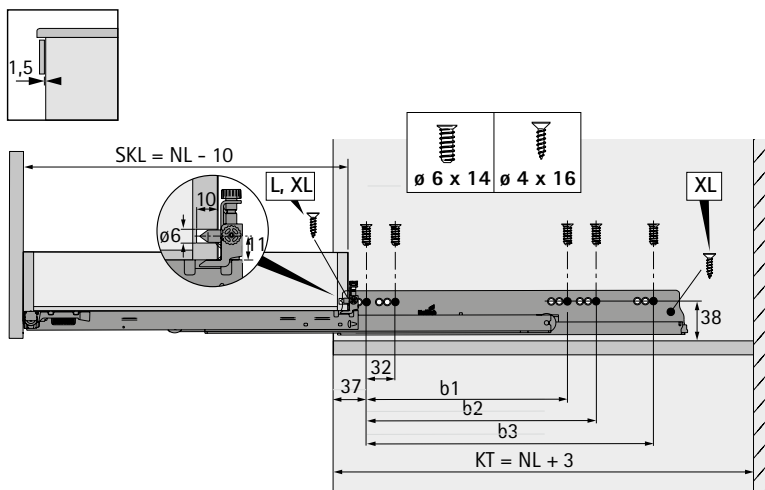
Cabinet side	Order no.	PU
left / right	9 257 268	1 pair
left	9 257 266	100 ea.
right	9 257 264	100 ea.

Cabinet side	Order no.	PU
left / right	9 257 706	1 set

Front cross section



Side cross section

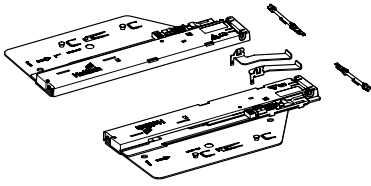


NL	b1	b2	b3	S 10 kg	L 40 kg	XL 70 kg
250	128	160				
270	128	160				
300	128	160				
320	192	224				
350	192	224				
380	192	224				
400	192	224				
420	192	224				
450	224	256	288			
480	224	256				
500	224	256	320			
520	224	256	320			
550	224	256	320			
580	224	256	320			
600	224	256	320			
650	224	256	416			
700	224	256	416			
750	224	256	416			

Drawer runners for wooden drawers

▶ Push to open Silent opening system for Actro 5D

Push to open Silent opening system for Actro 5D



- ▶ Can be used with AvanTech YOU system drawer on Actro YOU drawer runner with Silent System
- ▶ Optional synchronisation possible

Set comprises:

- ▶ 1 Push to open Silent unit, left and right
- ▶ 1 activator, left and right
- ▶ 2 adapters for synchronisation

Total weight kg	Load class Actro kg	Nominal length mm	Order no.	PU
< 10	10	270 - 350	9 257 890	1 set
8 - 20	40	270 - 650	9 257 891	1 set
10 - 40	40	270 - 650	9 257 892	1 set
20 - 80	70	400 - 650	9 257 893	1 set

Optional synchronisation for Push to open Silent



- ▶ Recommended for cabinet bodies in widths of 600 mm and over

Synchronisation bar:

- ▶ For cutting to length
- ▶ Length 2000 mm
- ▶ Aluminium anodised

Connector:

- ▶ For connecting 2 synchronisation bars
- ▶ Plastic, grey.

Article	Order no.	PU
1 synchronisation bar	9 236 718	1/100 each
2 connectors	9 221 295	1/20 each

Drawer runners for wooden drawers

► Push to open Silent opening system for Actro 5D

Recommendation for drawer (front panel height up to approx. 150 mm)*

Nominal length mm	Nominal width mm												
	275	300	350	400	450	500	550	600	700	800	900	1000	1200
250 - 300													
320 - 350													
380 - 550													
580 - 750													

Recommendation for pot-and-pan drawer (front panel height up to approx. 300 mm, carrying medium load)*

Nennlänge mm	Nominal width mm												
	275	300	350	400	450	500	550	600	700	800	900	1000	1200
250 - 300													
320 - 350													
380													
400 - 550													
580 - 750													

Recommendation for pot-and-pan drawer (front panel height up to approx. 300 mm, carrying heavy load, e.g. with stacks of plates)*

Nennlänge mm	Nominal width mm												
	275	300	350	400	450	500	550	600	700	800	900	1000	1200
250 - 300													
320 - 350													
380													
400 - 550													
580 - 750													

Order no. Push to open Silent:

9 257 890

9 257 891

9 257 892

9 257 893

* Recommendations for applications (front panel 19 mm chipboard, normal household loading), please refer to our online configurator to get more exact recommendations for customer chosen front panel dimensions and materials.



Further information:
<http://www.hettich.com/short/?????>

Drawer systems

► Quality criteria

Quality that meets all the demands

The quality of the drawer systems is monitored continuously. Hettich fittings comply with the national and international quality standards of the markets our customers operate in. The diagrams below show some of the tests Hettich fittings are required to pass.

Application area

Hettich drawer systems are suitable for use in living room, kitchen, bathroom and office furniture both in the home and business environment.

Load capacity and guards preventing unintentional detachment / removal

The load capacity indicated (to DIN EN 15338) is understood to mean the weight of the drawer itself, including contents, in kg. The applicable level is shown on the product. The load capacity refers to a reference length of 500 mm. The load capacity may vary for other

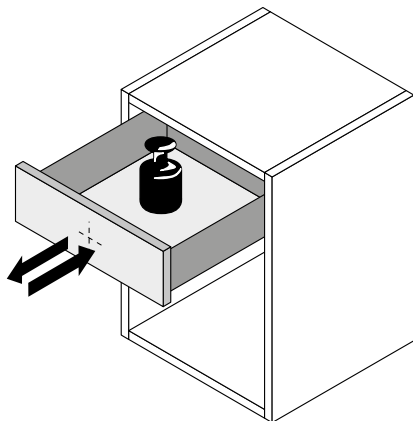
nominal lengths. All Hettich drawer systems feature guards to prevent the drawer from rolling out and being removed unintentionally and meet the requirements of the impact test in a test frame to EN 15338. Fitted in the proper manner, the drawer systems are suitable for furniture defined in EN 14749. The maximum front panel height depends in particular on the material, drawer size and drawer runner. Testing is conducted on drawers with a 130 mm front panel height and pot-and-pan drawers with a 300 mm front panel height. We will be pleased to provide any further information you may require.

Corrosion test

Hettich runner systems satisfy the requirements on corrosion defined in DIN EN 15338, 72 hour condensation water test to DIN EN 6270.

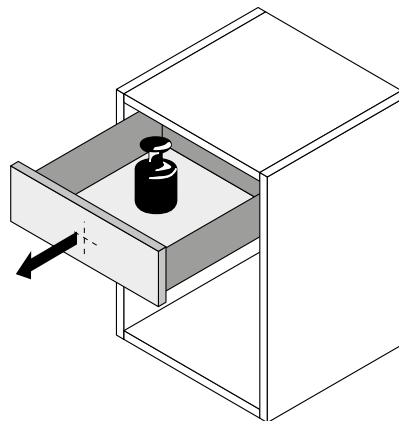
Wear test

The fully laden drawer must remain in proper working order after opening and closing it for a defined number of times at a defined test velocity.



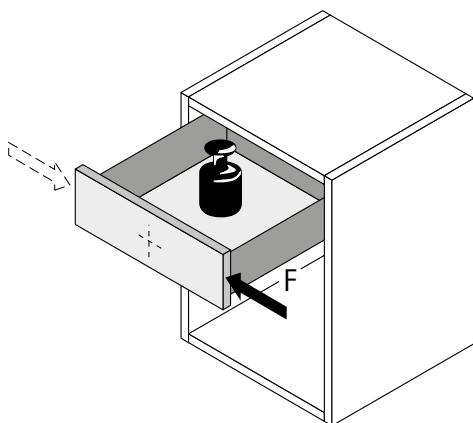
Retention-on-opening test

The fully laden drawer is abruptly opened all the way several times at a defined test velocity.



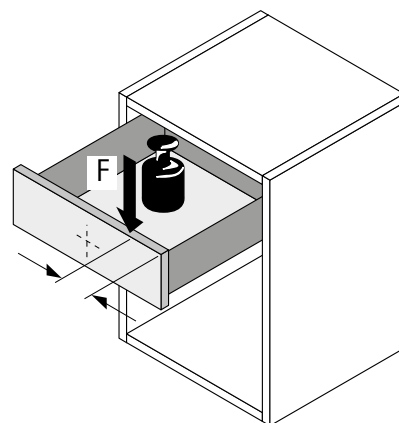
Horizontal load test

Opened all the way, the fully laden drawer is additionally exposed to horizontal strain from a defined lateral force.

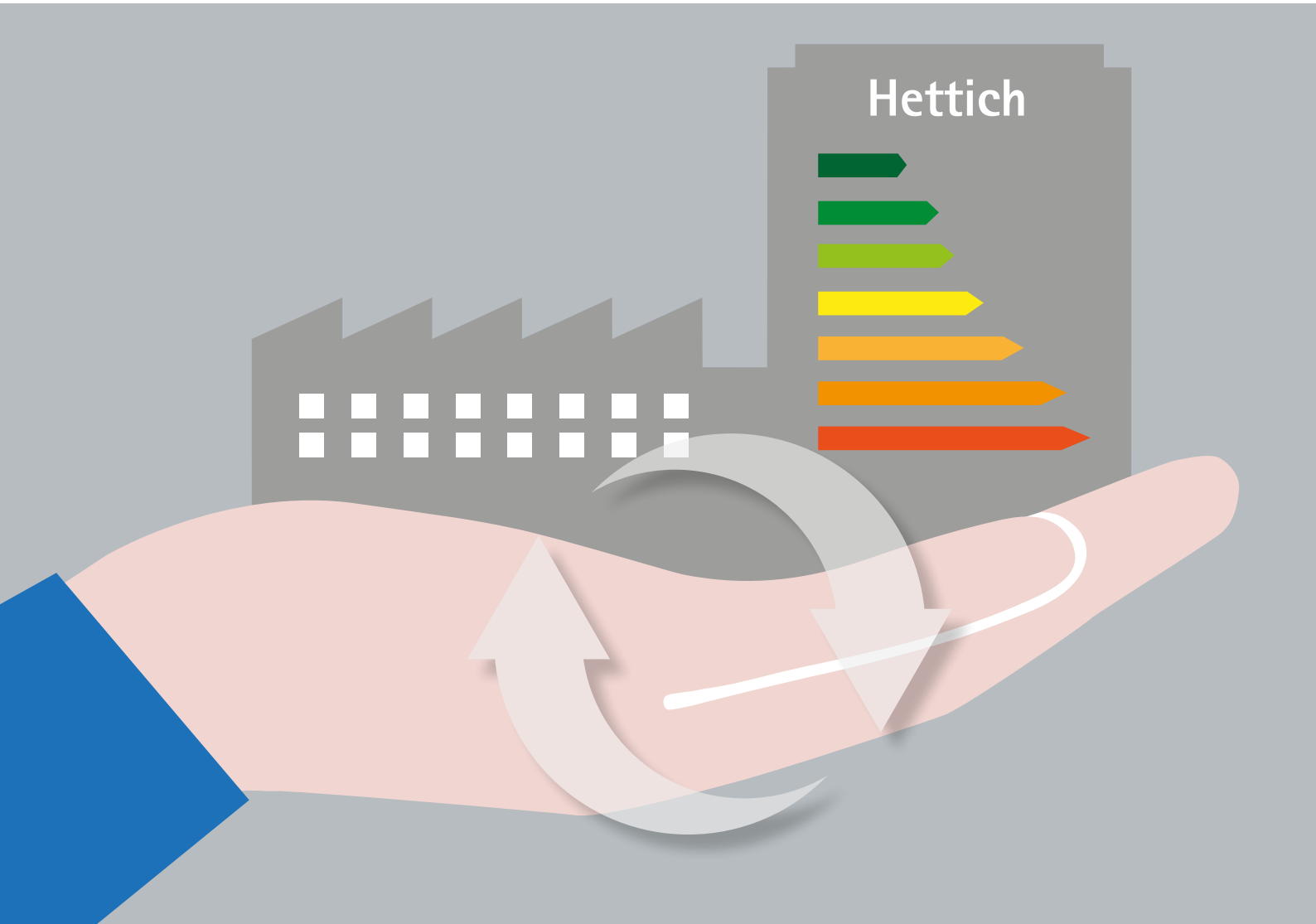


Vertical strain test

Opened all the way, the drawer is additionally exposed to vertical strain from a defined eccentric force.



We are improving our environmental performance – as proven by EMAS, the world's most stringent environmental management system.



Our corporate principles include taking responsibility for preserving the natural basis of life. This is where we regard statutory provisions as minimum requirements. Over and above meeting statutory requirements, it is imperative for all members of staff to act in a way that conserves energy and resources in their own particular work environment in order to overcome the global ecological challenges of the near future. In the same way, using energy and resources efficiently also plays a key part in maintaining our competitive edge.

The group wide Environmental Department was established back in 1992, with its sustainability principles of environmental protection and occupational health and safety having consistently set the framework for leading the company group forward in this direction since 1993. Introduced in 1996, the environmental management systems complying with the European EMAS Regulation (Eco Management and Audit Scheme), including ISO 14.001, are of central impor-

tance in this context. These implemented a targeted approach to identifying and realising the potentials for using energy and resources in an efficient manner as well as to ensuring conformity with the law. The results are nothing short of impressive.

Environmentally friendly projects

Innovative projects are the mark of our approach to environmental management. For instance, the primary-energy requirement of our new production facilities is up to 75% below the specifications demanded in building legislation. The exemplary, consistent use of wood-based materials in constructing our commercial buildings puts us on the forefront of using resource-conserving, renewable building materials that take enormous quantities of climate-damaging CO₂ out of the atmosphere while they are growing.

Since 2015, we have been trying out three new vehicles, each employing different propulsion systems, to test the



practical suitability of electric mobility in a variety of usage situations. At our Indian production plant, heavy metals are absorbed from concentrated waste water using an innovative method that involves living algae. At our factory in China, a solar-powered system provides staff accommodation and the canteen with hot water.

Numerous awards reflect our commitment to the environment. In 2009, the European Commission gave our zero-energy Hettich Forum building the Green Building Award at national level. In 2016, we won the sustainability prize from the East Westphalian Business Environment Foundation for an environment education project carried out over 20 years.

Success stories

Between 1997 and 2015, for example, we have managed to reduce environmental pollution from manufacturing our drawer runners and drawer systems at the Kirchlengern-Bünde production facility as follows:

- ▶ Specific water consumption 45%
- ▶ Specific power consumption 10%
- ▶ Specific heat consumption 73%
- ▶ Specific CO₂ emission 30%

Technik für Möbel



www.hettich.com

Order no.:
1906-011_AvantTech_YOU_0919_HPH/en

Technik für Möbel

