

News



LICHT-IM-MOEBEL



KOMPETENZEN

Linear lights	06
Spot lights	22
Switch systems	32

Whether online, in the
"Licht im Moebel" main catalogue,
by telephone or in person: Discover
our fascinating worlds of light!

halemeier.de





Black design trend

The feeling of luxury.

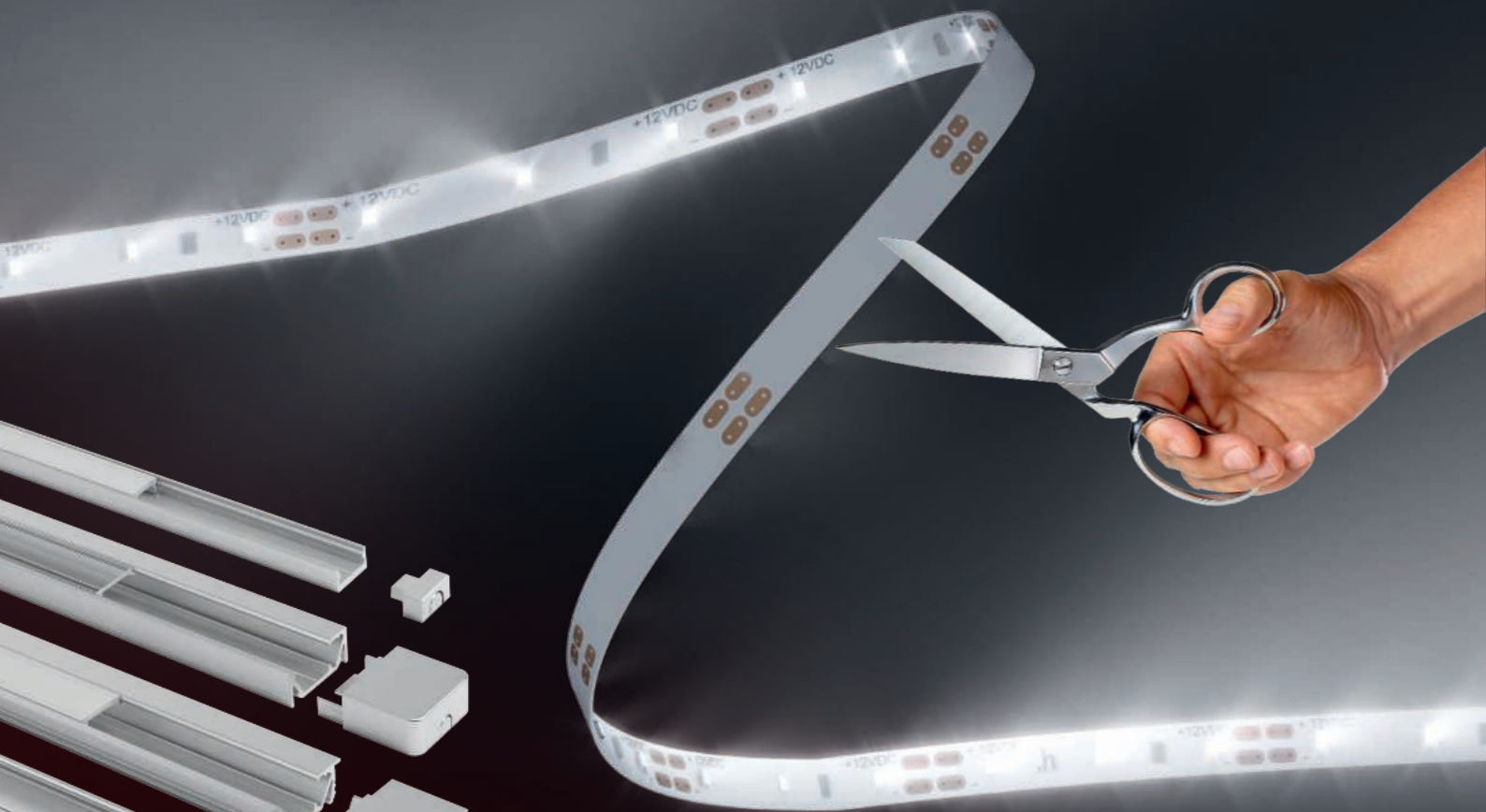
Black is not just an elegant classic in the world of fashion – black is also a favourite colour for many when it comes to their car. And now this achromatic colour is taking over the interior more and more. Black sofas, black accessories and even black kitchens are finding their way into our home.

These black furnishings have a surprising effect on the living areas where they are found. The rooms suddenly appear more defined and offer intensity and depth. They spread the feeling of luxury and style without becoming invasive. This love for black can get a further boost. With light!

HALEMEIER innovations really hit this fashion trend.

Versa

means versatility. These LED strips are particularly flexible, they can be shortened and they are available in various light colours. The decorative ChannelLine profiles match them perfectly.



ChannelLine

In these decorative profiles Versa LED strips shine full of power when the transparent cover is used. The translucent, milky cover ensures a particularly pleasant visual appearance.

Linear lights

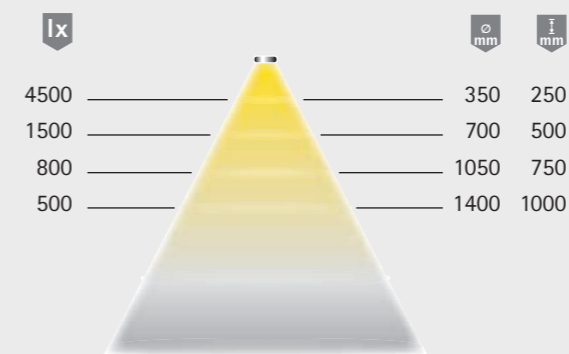
In silver. And now also in black.

In linear lights it is not only the LED light colour and length which can be tailored to customer requirements. The colour of the light strips, recessed lights and profiles can also be selected: Black or silver – The choice is yours.





Light distribution diagram / 70° (length 500 mm)



Light box



Versa Inside 233 HP

Advantages

- ▶ Flexible, self-adhesive
- ▶ Double-side supply lead for length 3000 mm (one cut, two lights), see drawing

Features

- ▶ Low installation height
- ▶ Can be individually cut to length
- ▶ The brightest of the Versa lights

Examples of use

- ▶ Light construction, with a very high light requirement
- ▶ Must be used with aluminium Channelline profiles
- ▶ Clamped connections not permitted

Ordering information

- ▶ Sales unit: 1

Technical details in brief



24 V
MP

Lamp type:	LED surface-mounted light
Type of lighting:	Functional lighting
Operating voltage:	24 V DC
Light colour:	Extra warm white / warm white / neutral white / cool white
Colour rendering index CRI:	> 90
Energy efficiency:	A
	75 lm / W
Life span:	30,000 h (L70)
Power consumption:	24 W / m
Max. length at a stretch:	6.25 m
Dimmable:	Yes / PWM
Number of LEDs:	233 / m
Half-peak-angle:	70°
Test marks and symbols:	CE ◊ W
Protection rating:	IP 20
Plug connection:	LED MultiPlug MP2
Connection to:	LED ballast

Versa Inside 233 HP

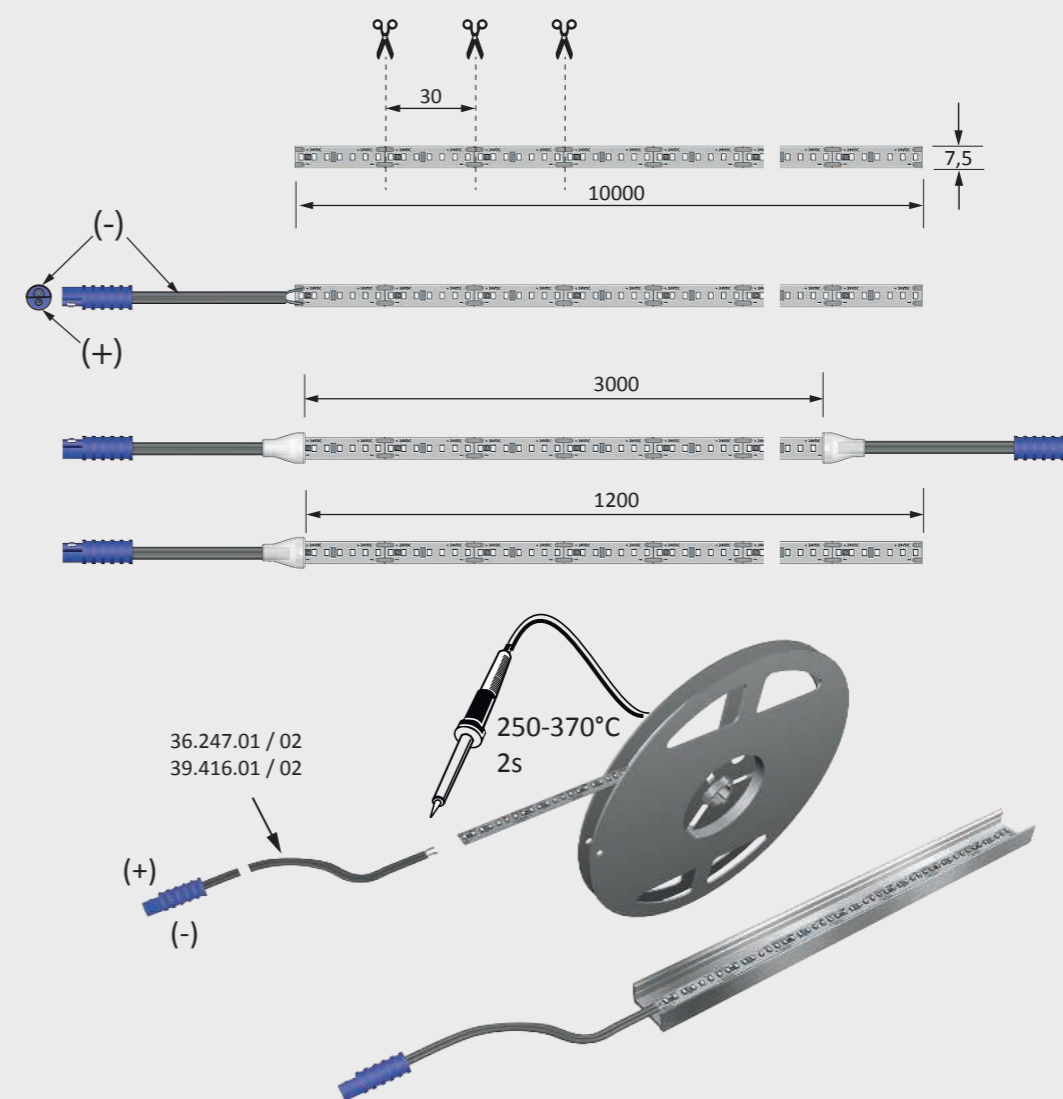
Article	Order no.			
	XtraWarm	WarmWhite	NeutralWhite	CoolWhite
1200 mm (max. 28.8 W)	55 844 42	55 844 12	55 844 02	55 844 22
3000 mm (max. 72 W)	55 844 44	55 844 14	55 844 04	55 844 24
10000 mm (max. 24 W/m)	55 844 41	55 844 11	55 844 01	55 844 21

Accessories (additional accessories in the "Licht im Moebel" main catalogue)

Article	Order no.
Feeder for soldering on 1800 mm for sections (max. 72 W)	36 247 01
Feeder for soldering on 130 mm for sections (max. 72 W)	36 247 02
Feeder for soldering on 1800 mm for sections (max. 150 W)	39 416 01
Feeder for soldering on 130 mm for sections (max. 150 W)	39 416 02
LED ballast 24 V DC, 75 W with flat Euro plug	31 017 01
LED ballast 24 V DC, 150 W with flat Euro plug	30 017 11
MP2 extension lead 1800 mm(24 V DC)	36 177 01
MP2 6-way distributor (24 V DC)	36 996 01

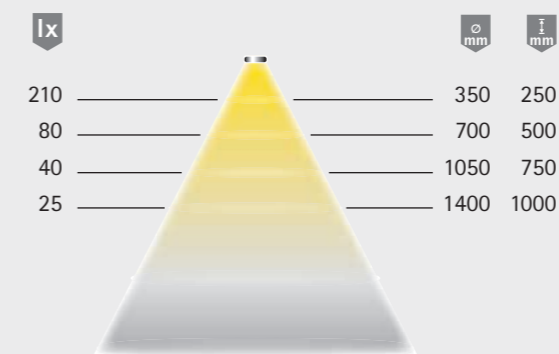
Dimensioned drawing / installation

Light can be cut to size

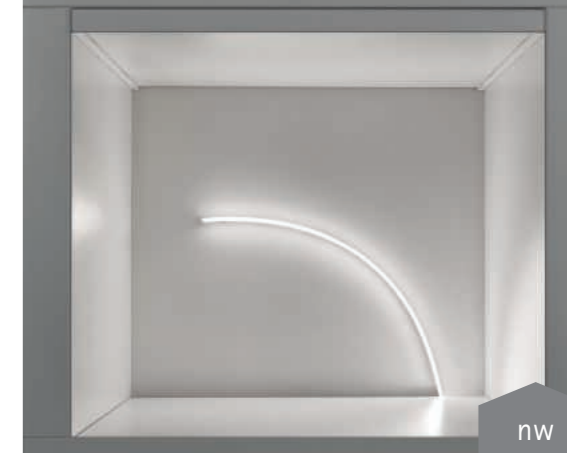




Light distribution diagram / 70° (length 600 mm)

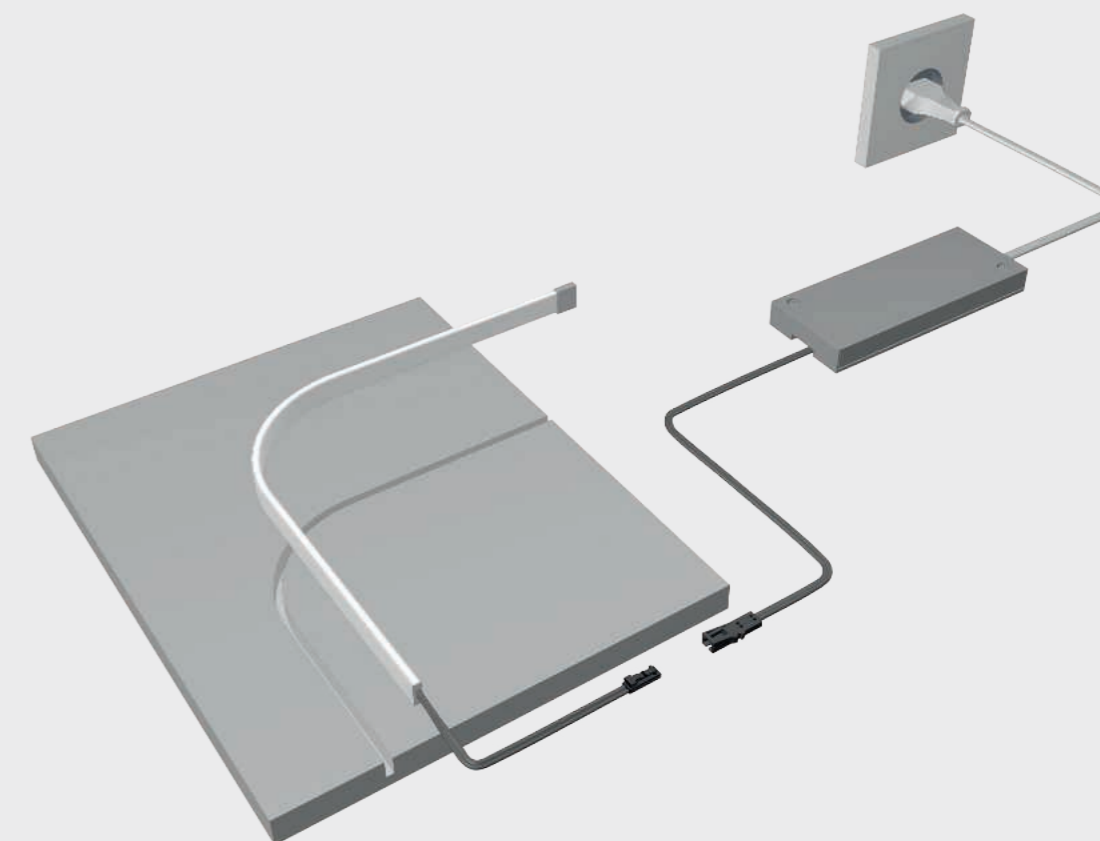
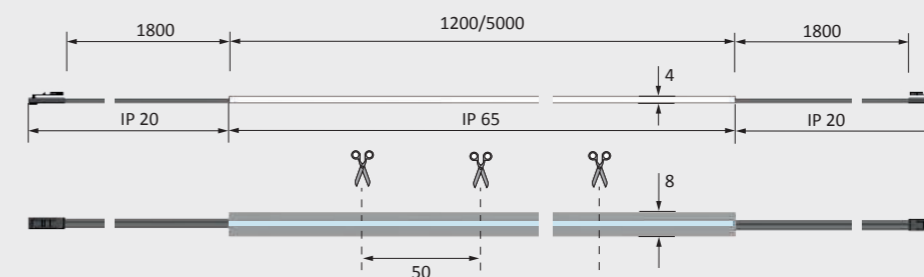


Light box



Dimensional drawing / installation

Light can be cut to size



Versa Super Plus Mini

Advantages

- ▶ Coated surface protects the LED
- ▶ Double-side supply lead (one cut, two lights), see drawing
- ▶ New bending direction (see drawing)

Features

- ▶ Can be individually cut to length
- ▶ In contrast to standard Versa, bends to the side
- ▶ Evenly illuminated area
- ▶ Particularly narrow

Examples of use

- ▶ Bar counters
- ▶ Decorative surfaces with rounded corners
- ▶ Trend design

Ordering information

- ▶ Sales unit: 1 Versa, 2 end caps and 1 tube of silicone to seal cut edges

Technical details in brief



Lamp type: LED surface-mounted/
recessed light
Type of lighting: Accent lighting
Operating voltage: 12 V DC
Light colour: Warm white /
neutral white
Colour rendering
index CRI: > 85
Energy efficiency: A
Life span: 30,000 h (L70)
Power consumption: 4.8 W / m
Max. length
at a stretch: 5 m
Dimmable: Yes / PWM
Half-peak-angle: 70°
Test marks and
symbols:
Protection rating: IP 65*
Supply lead: 2 x 1800 mm
Plug connection: LED mini
M1 plug connector
LED ballast
Connection to:

Versa Super Plus Mini

Article	Order no.	
	WarmWhite	NeutralWhite
1200 mm (max. 5.8 W)	55 864 12	55 864 02
5000 mm (max. 24 W)	55 864 13	55 864 03

Accessories (additional accessories in the "Licht im Moebel" main catalogue)

Article	Order no.
LED ballast 15 W with flat Euro plug	30 996 17
LED ballast 30 W with flat Euro plug	31 002 07
M1 extension lead 1800 mm	36 768 01
M1 3-way distributor 180 mm	36 852 01

* only in moulded section of light

QUESTIONS? Please call our service team or write to us by e-mail



Channelline B

Advantages

- ▶ Aluminium recessed profiles
- ▶ With opal (translucent) cover

Features

- ▶ Profile for combination with one Versa light
- ▶ Suitable for Versa connectors inside profile
- ▶ Can be combined with Channelline sensor
- ▶ Avoids visible light spots

Examples of use

- ▶ Furniture edges

Ordering information

- ▶ Application image shows Channelline B with Versa Inside 90
- ▶ LED ballasts and LED lights must be ordered separately, see main catalogue
- ▶ Sales unit: 1

Channelline B		
Article	Order no. cover	
	Alu/Opal	Black/Opal
Aluminium / plastic profile 2000 mm	55 660 01	55 660 04
Aluminium / plastic profile 2000 mm (10 units per set)	55 660 13	55 660 15
Aluminium / plastic profile 3000 mm	55 660 02	55 660 05
Aluminium / plastic profile 3000 mm (10 units per set)	55 660 14	55 660 16
End cap (2 units per set)	25 568 01	25 568 05
Installation spring Channelline B / C (2 units per set)	25 536 01	25 536 01

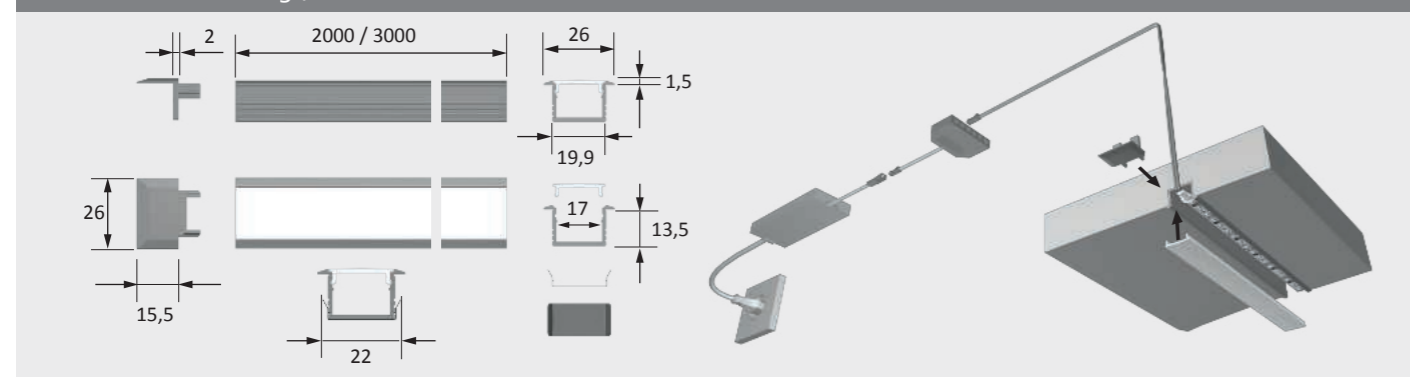
Technical details in brief



Recommended for:

- Versa Inside 60
- Versa Inside 90
- Versa Inside 120
- Versa Inside 120 HP
- Versa Inside 233 HP

Dimensional drawing / installation



Channelline C

Advantages

- ▶ Aluminium recessed profiles
- ▶ With clear or opal cover

Features

- ▶ To increase the luminance, install 2 Versa Inside lights beside each other
- ▶ Suitable for Versa connectors inside profile (with 1 Versa only)
- ▶ Can be combined with Channelline sensor

Examples of use

- ▶ Cut-to-size recessed lights

Ordering information

- ▶ LED ballasts and LED lights must be ordered separately, see main catalogue
- ▶ Sales unit: 1

Channelline C				
Article	Order no. cover			
	Alu/Opal	Alu/Clear	Black/Opal	Black/Clear
Aluminium / plastic profile 2000 mm	55 661 01	55 661 11	55 661 21	55 661 31
Aluminium / plastic profile 2000 mm (10 units per set)	55 661 05	55 661 15	55 661 25	55 661 35
Aluminium / plastic profile 3000 mm	55 661 02	55 661 12	55 661 22	55 661 32
Aluminium / plastic profile 3000 mm (10 units per set)	55 661 06	55 661 16	55 661 26	55 661 36
End cap (2 units per set)	25 569 01	25 569 01	25 569 05	25 569 05
Installation spring Channelline B / C (2 units per set)	25 536 01	25 536 01	25 536 01	25 536 01

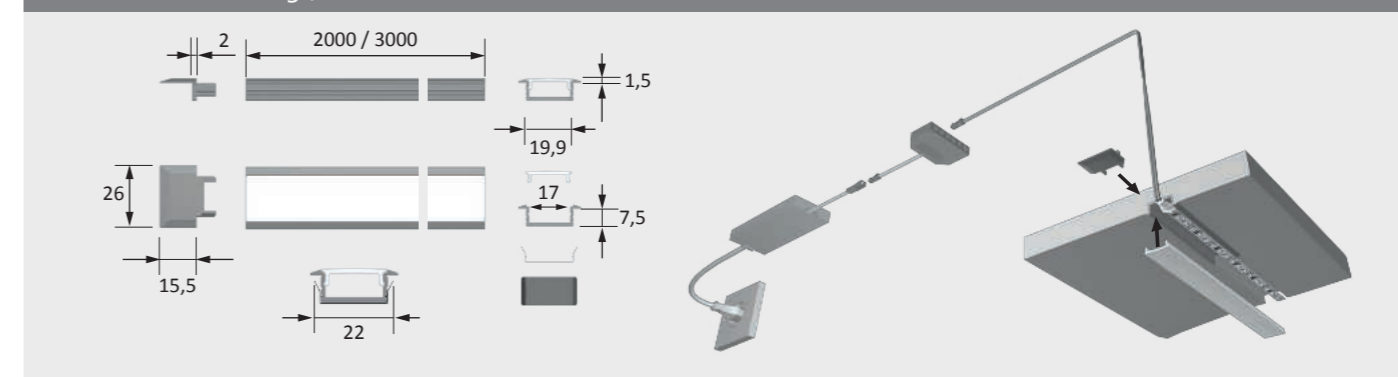
Technical details in brief



Recommended for:

- Versa Inside 60
- Versa Inside 90
- Versa Inside 120
- Versa Inside 120 HP
- Versa Inside 233 HP

Dimensional drawing / installation



QUESTIONS? Please call our service team or write to us by e-mail



Channelline D

Advantages

- ▶ Aluminium surface-mounted/recessed profile
- ▶ With clear or opal cover

Features

- ▶ Profile for combination with Versa lights
- ▶ To increase the luminance, install 2 Versa Inside lights beside each other
- ▶ Suitable for Versa connectors inside profile (with 1 Versa only)
- ▶ Can be combined with Channelline sensor

Examples of use

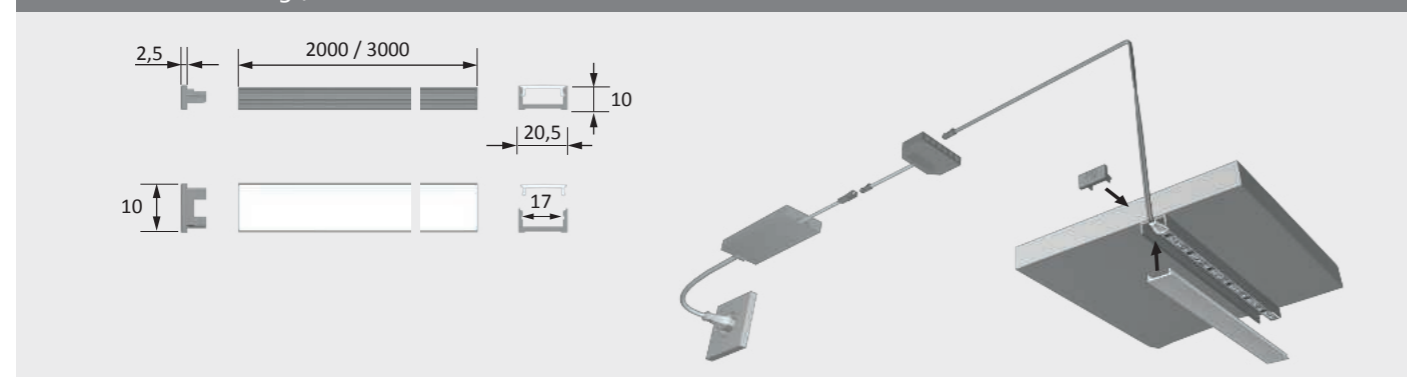
- ▶ Cut-to-size surface-mounted lights

Ordering information

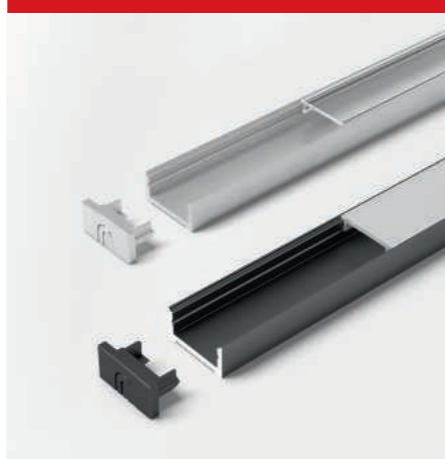
- ▶ Application image shows Channelline D with Versa Inside 120
- ▶ LED ballasts and LED lights must be ordered separately, see main catalogue
- ▶ Sales unit: 1

Article	Order no. cover			
	Alu/Opal	Alu/Clear	Black/Opal	Black/Clear
Aluminium / plastic profile 2000 mm	55 662 01	55 662 11	55 662 21	55 662 31
Aluminium / plastic profile 2000 mm (10 units per set)	55 662 05	55 662 15	55 662 25	-
Aluminium / plastic profile 3000 mm	55 662 02	55 662 12	55 662 22	55 662 32
Aluminium / plastic profile 3000 mm (10 units per set)	55 662 06	55 662 16	55 662 26	-
End cap (2 units per set)	25 570 01	25 570 01	25 570 05	25 570 05

Dimensional drawing / installation



Technical details in brief



Recommended for:

- Versa Inside 60
- Versa Inside 90
- Versa Inside 120
- Versa Inside 120 HP
- Versa Inside 233 HP

Channelline D2

Advantages

- ▶ Aluminium surface-mounted/recessed profile
- ▶ With opal cover

Features

- ▶ Profile for combination with Versa lights
- ▶ To increase the luminance, install 2 Versa Inside lights beside each other
- ▶ Suitable for Versa connectors inside profile (with 1 Versa only)
- ▶ Can be combined with Channelline sensor

Examples of use

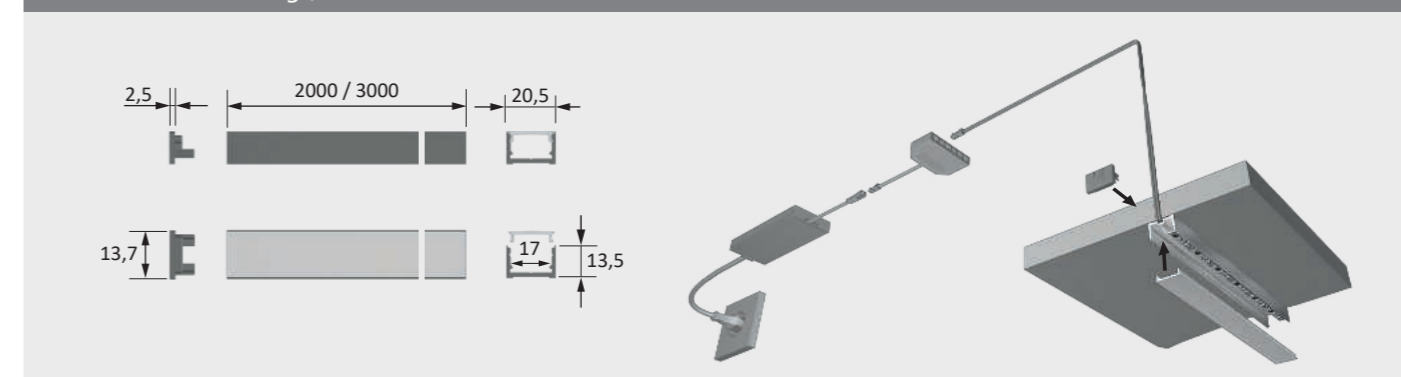
- ▶ Cut-to-size surface-mounted lights

Ordering information

- ▶ Application image shows Channelline D2 with Versa Inside 120
- ▶ LED ballasts and LED lights must be ordered separately, see main catalogue
- ▶ Sales unit: 1

Article	Order no. cover	
	Alu/Opal	Black/Opal
Aluminium / plastic profile 2000 mm	55 870 01	55 870 21
Aluminium / plastic profile 2000 mm (10 units per set)	55 870 05	55 870 25
Aluminium / plastic profile 3000 mm	55 870 02	55 870 22
Aluminium / plastic profile 3000 mm (10 units per set)	55 870 06	55 870 26
End cap (2 units per set)	25 774 01	25 774 05

Dimensional drawing / installation



Technical details in brief



Recommended for:

- Versa Inside 60
- Versa Inside 90
- Versa Inside 120
- Versa Inside 120 HP
- Versa Inside 233 HP





Channelline G1

Advantages

- ▶ Aluminium surface-mounted/recessed profile
- ▶ With clear or opal cover
- ▶ Inclined light emission

Features

- ▶ Profile for combination with Versa lights
- ▶ Suitable for installation of 2 Versa Inside units, one emitting light at an angle and the other straight into the cabinet

Examples of use

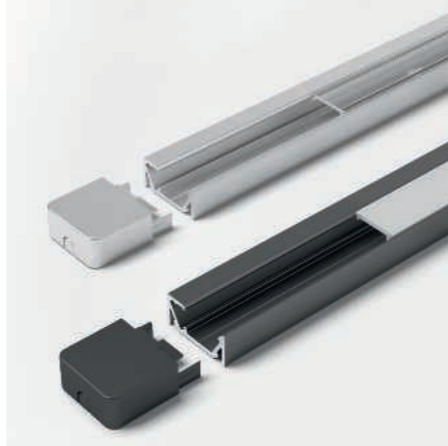
- ▶ Cabinet interior lighting
- ▶ Kitchen niche
- ▶ Product presentation on sales shelf

Ordering information

- ▶ Application image shows Channelline G1 twice equipped with Versa Inside 120
- ▶ LED ballasts and LED lights must be ordered separately, see main catalogue
- ▶ Sales unit: 1

Article	Order no. cover			
	Alu/Opal	Alu/Clear	Black/Opal	Black/Clear
Aluminium / plastic profile 2000 mm	55 704 01	55 704 11	55 704 41	55 704 51
Aluminium / plastic profile 2000 mm (10 units per set)	55 704 03	55 704 13	55 704 43	-
Aluminium / plastic profile 3000 mm	55 704 02	55 704 12	55 704 42	55 704 52
Aluminium / plastic profile 3000 mm (10 units per set)	55 704 04	55 704 14	55 704 44	-
End cap (2 units per set)	25 554 01	25 554 01	25 554 05	25 554 05

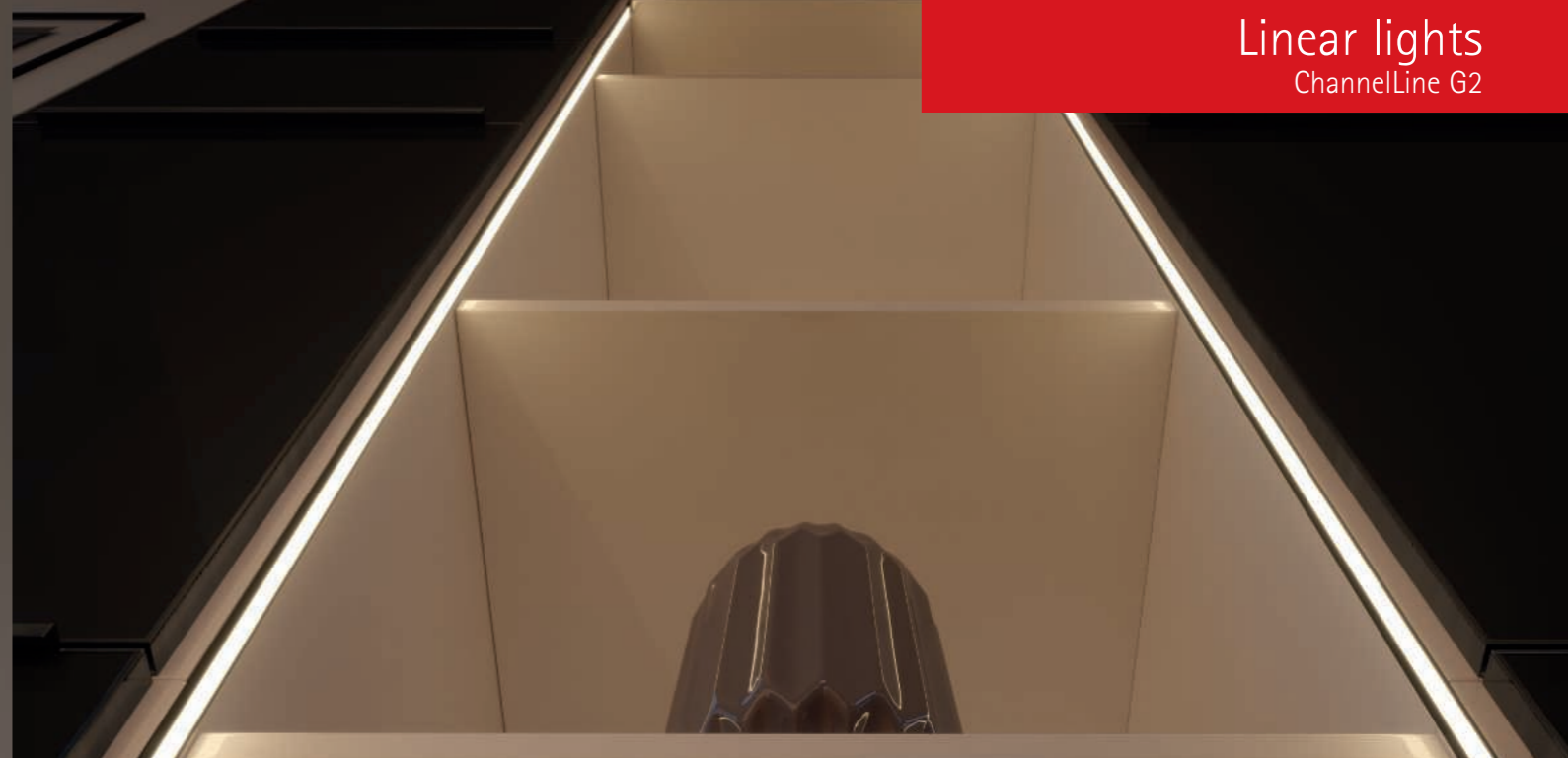
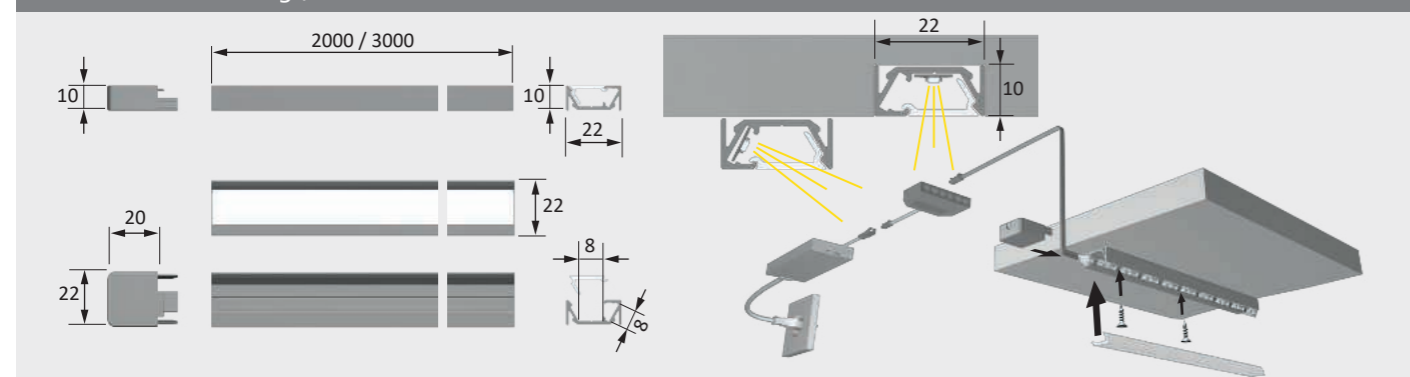
Technical details in brief



Recommended for:

- Versa Inside 60
- Versa Inside 90
- Versa Inside 120 (12 V only)

Dimensional drawing / installation



Channelline G2

Advantages

- ▶ Aluminium recessed profiles
- ▶ With clear or opal cover
- ▶ Inclined light emission

Features

- ▶ Profile for combination with Versa lights
- ▶ Suitable for installation of 2 Versa Inside units, one emitting light at an angle and the other straight into the cabinet
- ▶ With surface-mounted collar

Examples of use

- ▶ Cabinet interior lighting
- ▶ Kitchen niche
- ▶ Product presentation on sales shelf

Ordering information

- ▶ LED ballasts and LED lights must be ordered separately, see main catalogue
- ▶ Sales unit: 1

Article	Order no. cover			
	Alu/Opal	Alu/Clear	Black/Opal	Black/Clear
Aluminium / plastic profile 2000 mm	55 705 01	55 705 11	55 705 21	55 705 31
Aluminium / plastic profile 2000 mm (10 units per set)	55 705 03	55 705 13	55 705 23	-
Aluminium / plastic profile 3000 mm	55 705 02	55 705 12	55 705 22	55 705 32
Aluminium / plastic profile 3000 mm (10 units per set)	55 705 04	55 705 14	55 705 24	-
End cap (2 units per set)	25 556 01	25 556 01	25 556 05	25 556 01
Installation spring (2 units per set)	25 607 01	25 607 01	25 607 01	25 607 01

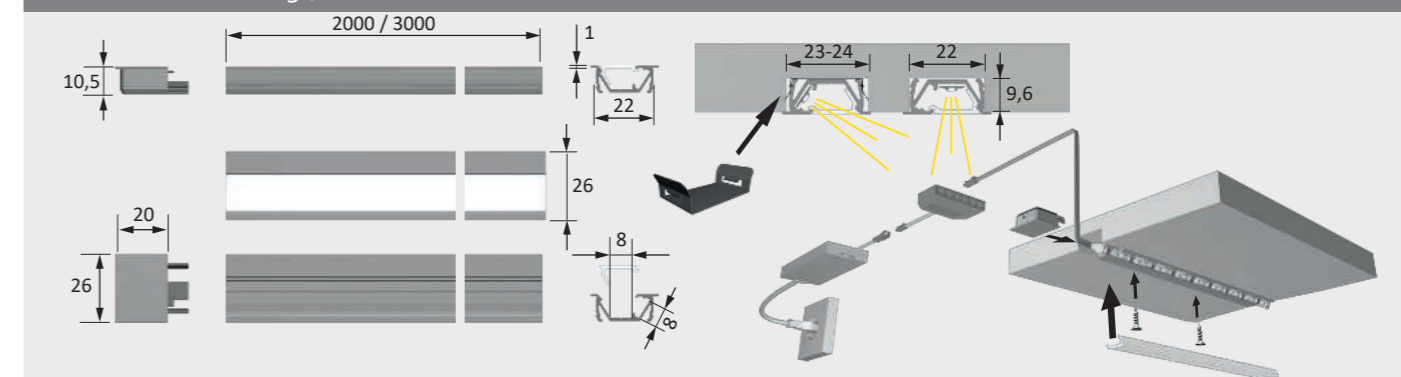
Technical details in brief



Recommended for:

- Versa Inside 60
- Versa Inside 90
- Versa Inside 120 (12 V only)

Dimensional drawing / installation





Channelline I

Advantages

- ▶ Aluminium surface-mounted/recessed profile
- ▶ With clear or opal cover

Features

- ▶ Profile for combination with one Versa light
- ▶ Smallest of the Versa profiles

Examples of use

- ▶ Cut-to-size surface-mounted lights

Ordering information

- ▶ Application image shows Channelline I with Versa Inside 120
- ▶ LED ballasts and LED lights must be ordered separately, see main catalogue
- ▶ Sales unit: 1

Technical details in brief

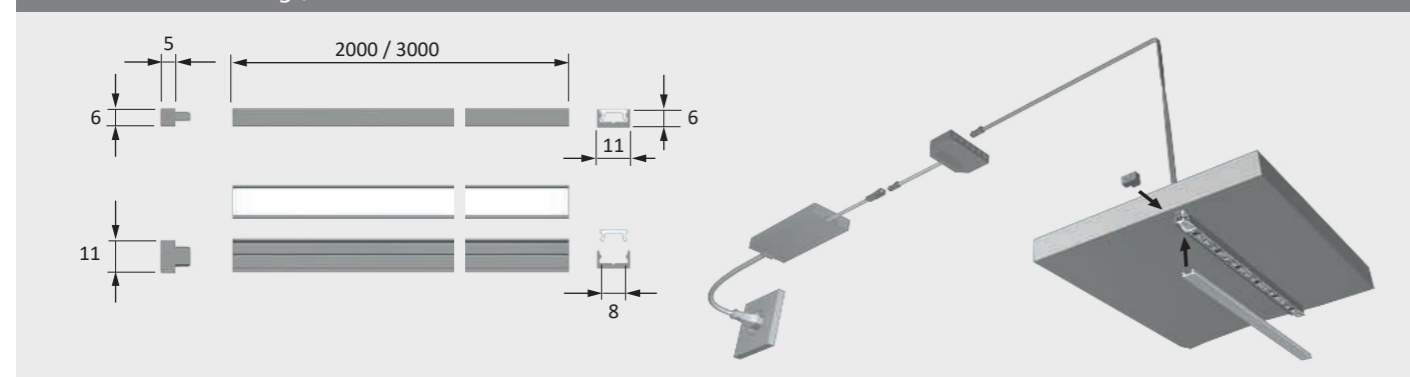


Recommended for:

- Versa Inside 60
- Versa Inside 90
- Versa Inside 120

Channelline I		
Article	Order no. cover	
	Alu/Opal	Black/Opal
Aluminium / plastic profile 2000 mm	55 707 01	55 707 41
Aluminium / plastic profile 2000 mm (10 units per set)	55 707 03	-
Aluminium / plastic profile 3000 mm	55 707 02	55 707 42
Aluminium / plastic profile 3000 mm (10 units per set)	55 707 04	-
End cap (2 units per set)	25 563 01	25 563 05

Dimensional drawing / installation



Channelline sensor

Advantages

- ▶ Switches and dims Versa lights at the touch of a button
- ▶ With build in orientation LED (white light spot)

Features

- ▶ Concealed installation in Channelline profile

Examples of use


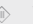
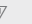
- ▶ For Channelline B, C, D and D2
- ▶ Not for Versa Inside 233 HP

Ordering information

- ▶ LED ballasts and LED lights must be ordered separately, see main catalogue
- ▶ Sales unit: 1

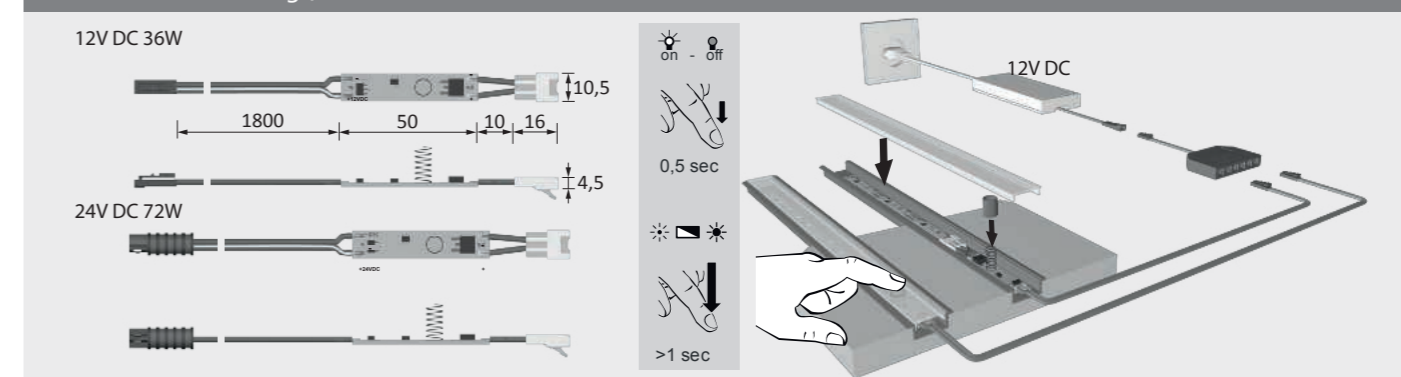
Technical details in brief




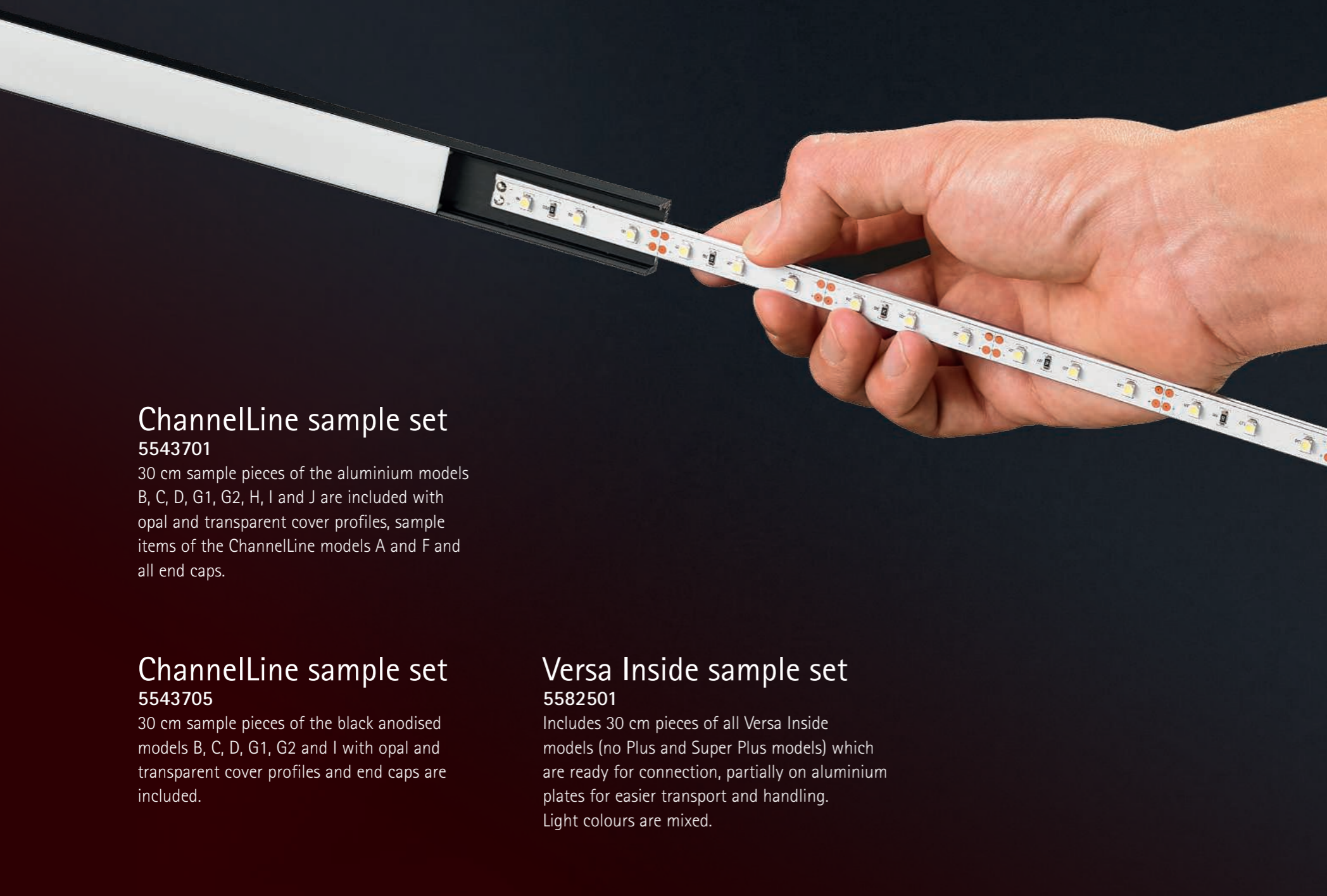
- For use with:
- Operating voltage: 12 / 24 V DC
 - Max. switching power: 36 W / 72 W
 - Test marks and symbols:   
 - Supply lead: 1800 mm
 - Standby: < 0.5 W

Channelline sensor	
Article	Order no.
Channelline sensor 12 V DC	36 242 01
Channelline sensor 24 V DC	36 243 01

Dimensional drawing / installation



 **QUESTIONS?** Please call our service team or write to us by e-mail



Channelline sample set

5543701

30 cm sample pieces of the aluminium models B, C, D, G1, G2, H, I and J are included with opal and transparent cover profiles, sample items of the Channelline models A and F and all end caps.

Channelline sample set

5543705

30 cm sample pieces of the black anodised models B, C, D, G1, G2 and I with opal and transparent cover profiles and end caps are included.

Versa Inside sample set

5582501

Includes 30 cm pieces of all Versa Inside models (no Plus and Super Plus models) which are ready for connection, partially on aluminium plates for easier transport and handling. Light colours are mixed.

HALEMEIER sample sets The perfect sales aid.

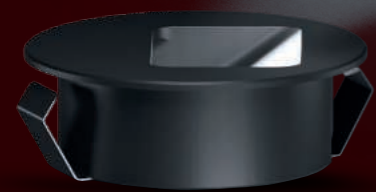
What light colours and intensities do the Versa LED strips have. Which effect do the new Channelline profiles have in black and which in silver? Which covers are provided for them? It is very easy to answer all these questions during a sales discussion - with the HALEMEIER sample sets!

All HALEMEIER Channelline and Versa Inside articles can be found in the sample sets. They show the multiple possibilities of the individual combination of profile and strip in a short and practical size. The sets are available for a fee - your HALEMEIER representative will be delighted to provide you with a sample set!



MoveSpot

This small recessed LED light accentuates shelves, display cases and furniture halos with its swivelling light beam.



SideSpot

Shining up from the bottom or sideways: this recessed LED light puts objects on shelves and in displays in the limelight thanks to its inclined light beam.

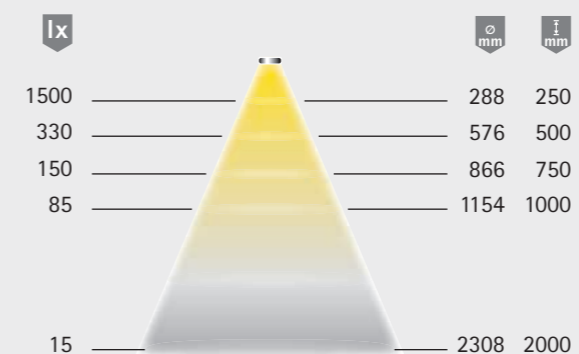
Spotlights

Little black gems.

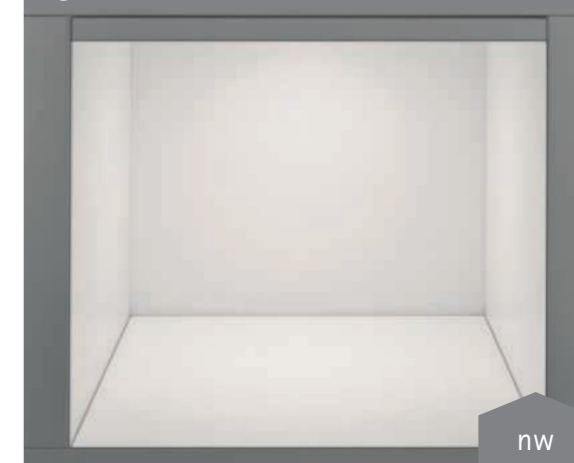
Our spotlights are now available in black – and thanks to the luminous power they make a great impact even with a small size: Installed in ceilings or furniture, they produce beautiful accent or focused light.



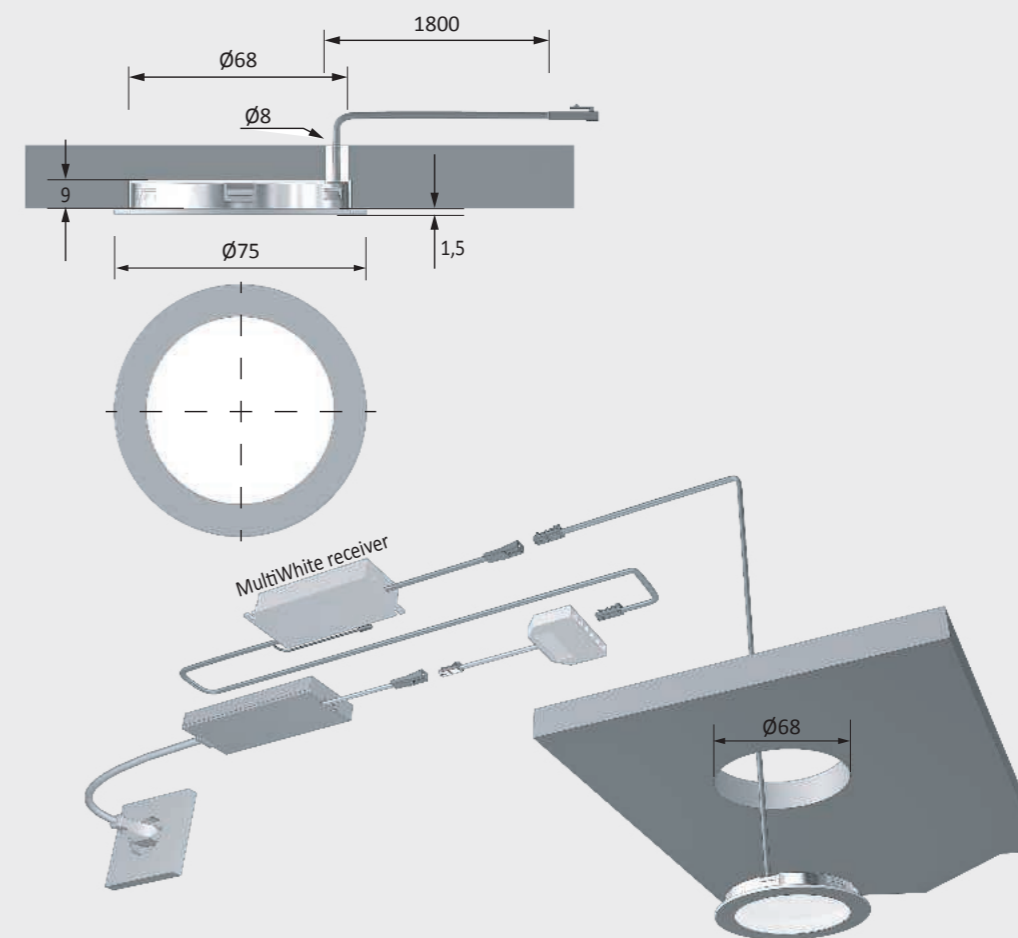
Light distribution diagram / 60°



Light box



Dimensional drawing / installation



LitePanel 68

Advantages

- ▶ Particularly uniform illuminated area
- ▶ Low installation depth

Examples of use

- ▶ Shelves
- ▶ Display cabinets

Features

- ▶ High light output in relation to size
- ▶ Plug-in connection on housing
- ▶ Recessed light with 68 mm installed diameter
- ▶ The light colour is XtraWarmWhite when connected directly to an electronic ballast

Ordering information

- ▶ MultiWhite control for setting the colour required
- ▶ Sales unit: 1

Technical details in brief



Lamp type:	LED recessed light
Type of lighting:	Functional / accent lighting
Surface finish:	Black / Stainless steel look
Operating voltage:	12 V DC
Light colour:	MultiWhite
Colour rendering index CRI:	80
Energy efficiency:	A
	50 lm/W
Life span:	30,000 h (L70)
Power consumption:	4.3 W
Dimmable:	Yes / PWM
Half-peak-angle:	60°
Test marks and symbols:	CE ◊ ▼▼
Protection rating:	IP 20
Installed diameter:	68 mm
Supply lead:	1800 mm
Plug connection:	LED mini
	M1 plug connection
Connection to:	LED ballast

LitePanel 68	
Article	Order no.
	MultiWhite
Black	32 348 35*
Stainless steel look, anodised	32 348 39*

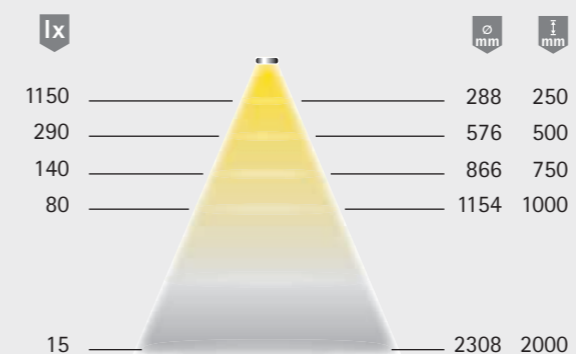
Accessories (additional accessories in the "Licht im Moebel" main catalogue)	
Article	Order no.
S-Mitter Basic MultiWhite wireless kit	30 772 01
LED ballast 20 W with flat Euro plug	31 016 01
M1 extension lead 1800 mm	36 768 01
M1 3-way distributor 180 mm	36 852 01
M1 6-way distributor 2000 mm	36 125 01

* MultiWhite accessories required

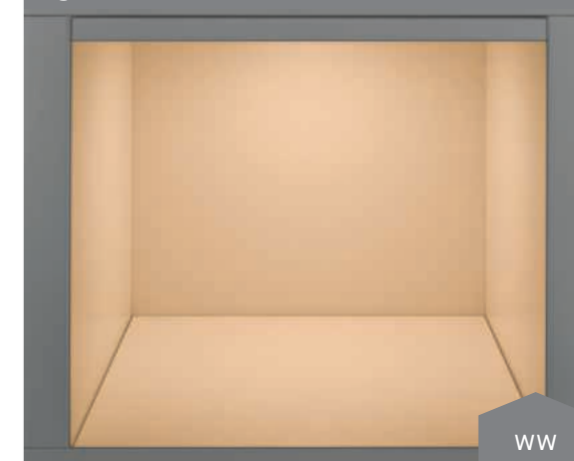
📞 **QUESTIONS?** Please call our service team or write to us by e-mail



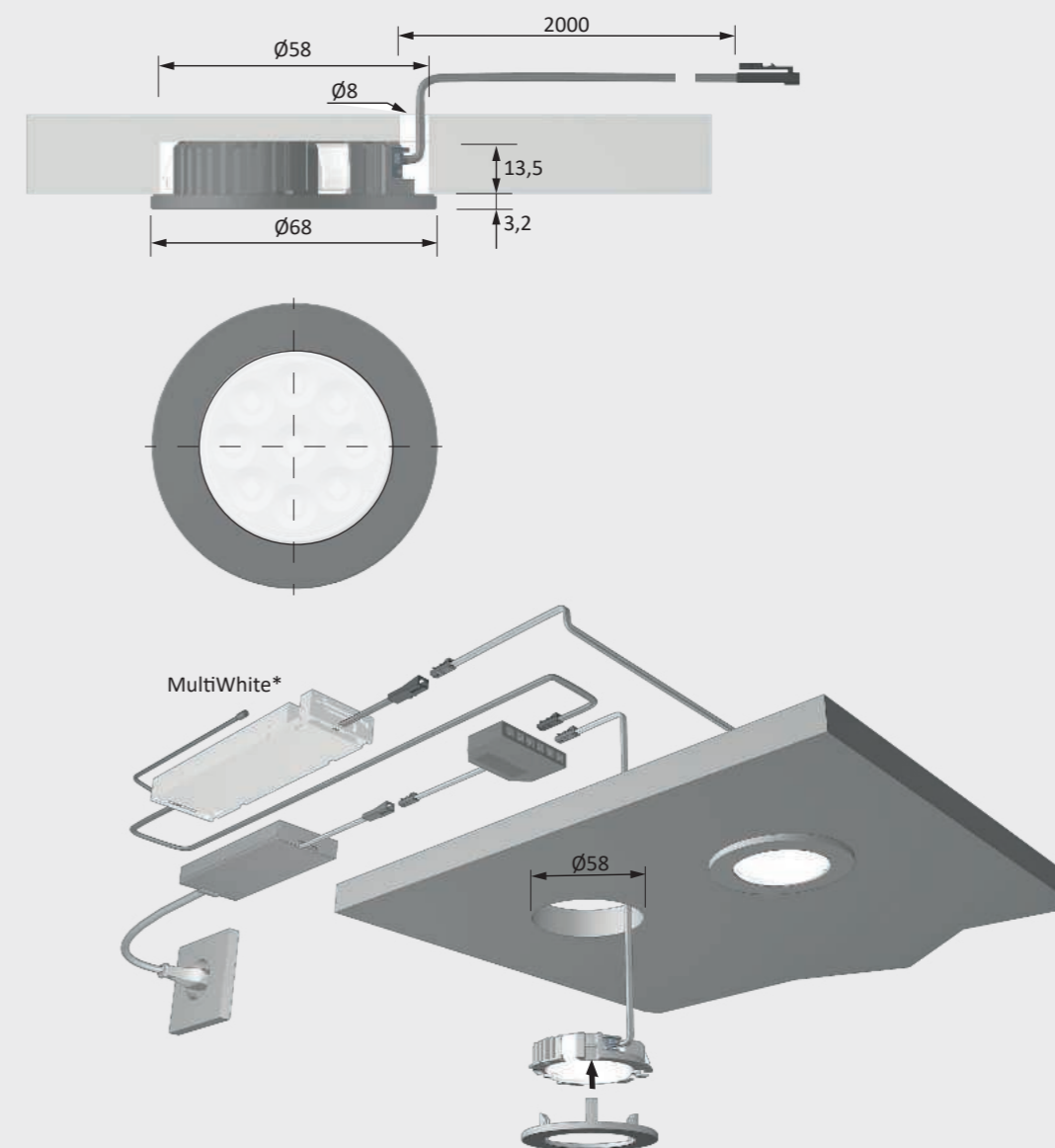
Light distribution diagram / 60°



Light box



Dimensional drawing / installation



MultiLite Flood

Advantages

- ▶ Designer lamp
- ▶ Evenly illuminated area

Features

- ▶ High light output in relation to size
- ▶ Plug-in connection on housing
- ▶ Recessed light with 58 mm installed diameter

Examples of use

- ▶ Shelves
- ▶ Display cabinets

Ordering information

- ▶ Individual lights are supplied without cover ring
- ▶ MultiWhite control for setting the colour required
- ▶ Sales unit: 1

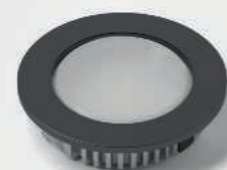
MultiLite Flood			
Article	Order no.		
	MultiWhite	WarmWhite	NeutralWhite
Individual light	32 066 31*	32 150 11	32 150 01

Accessories (additional accessories in the "Licht im Moebel" main catalogue)

Article	Order no.
Cover ring – aluminium look	25 175 26
Cover ring– chrome matt look	25 175 16
Cover ring – stainless steel look	25 175 09
Cover ring – gold look	25 175 04
Cover ring – bronze look	25 175 02
Cover ring – black NEW	25 175 05
S-Mitter Basic MultiWhite wireless kit*	30 772 01
LED ballast 20 W with flat Euro plug	31 016 01
M1 extension lead 1800 mm	36 768 01
M1 3-way distributor 180 mm	36 852 01
M1 6-way distributor 2000 mm	36 125 01

* MultiWhite accessories required

Technical details in brief



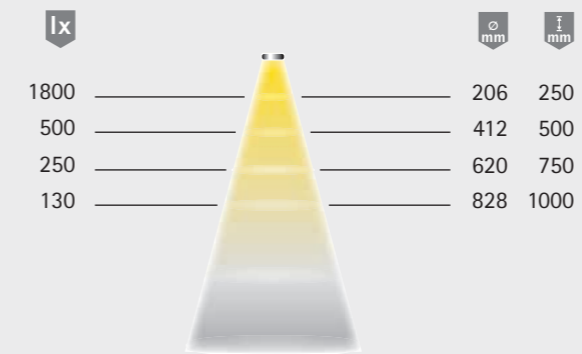
12 V

Lamp type:	LED recessed light
Type of lighting:	Functional / accent lighting
Operating voltage:	12 V DC
Light colour:	MultiWhite / warm white / neutral white
Colour rendering index CRI:	85
Energy efficiency:	A
Life span:	50 lm/W
Power consumption:	30,000 h (L70)
Dimmable:	4 W
Half-peak-angle:	Yes / PWM
Test marks and symbols:	60°
Protection rating:	CE Ⓢ Ⓢ
Installed diameter:	IP 44
Supply lead:	58 mm
Plug connection:	2000 mm
Connection to:	LED mini M1 plug connection LED ballast

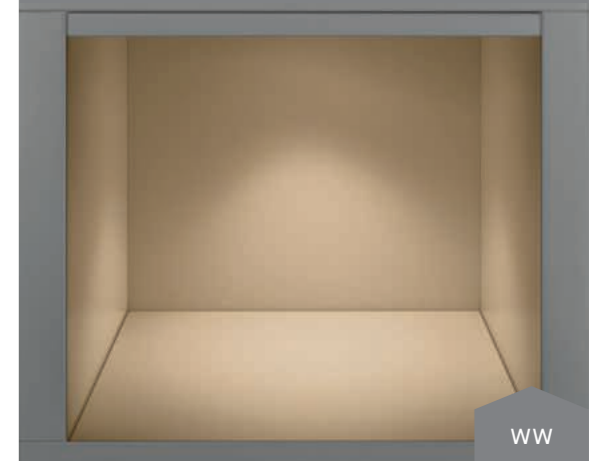
📞 QUESTIONS? Please call our service team or write to us by e-mail



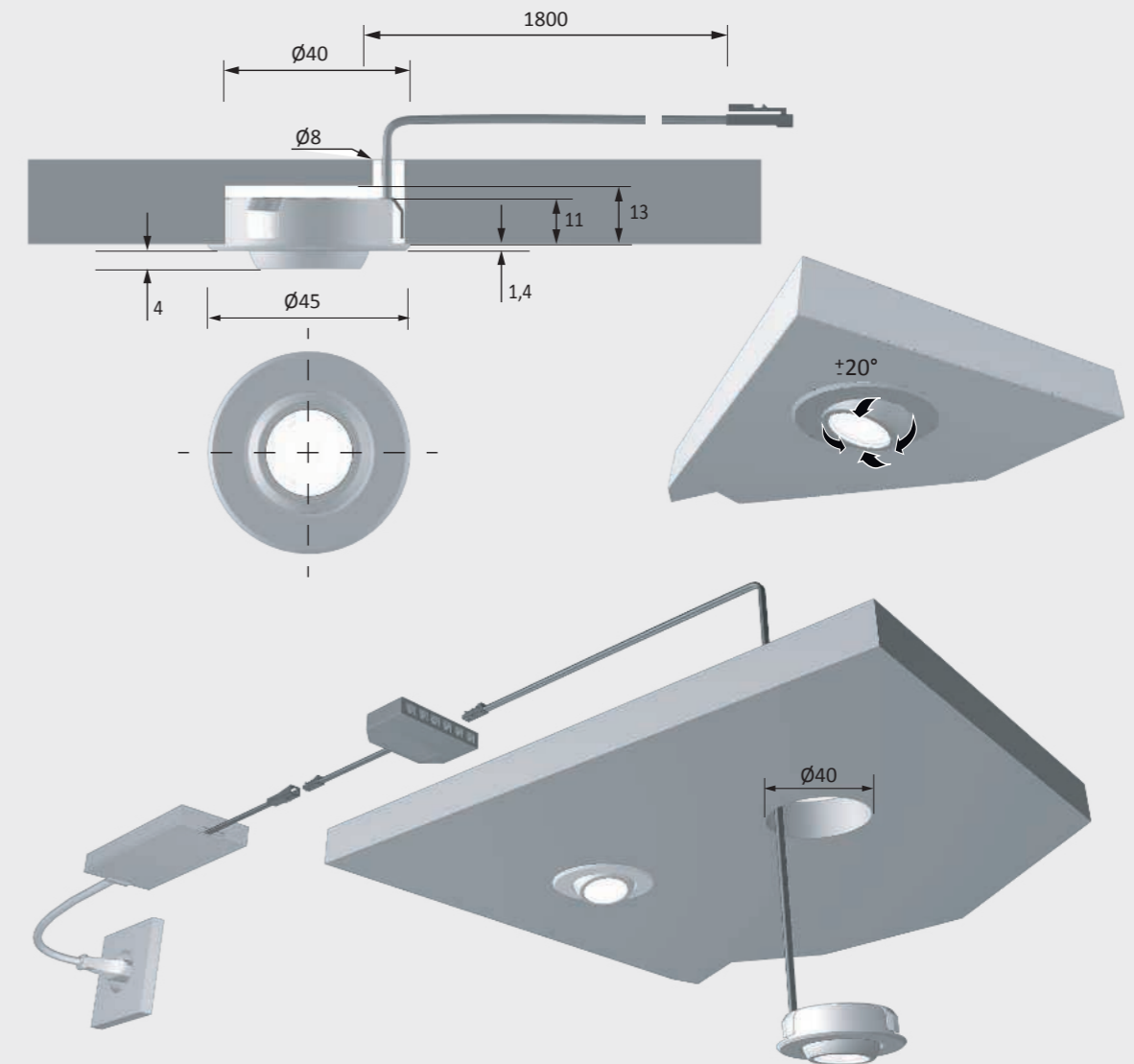
Light distribution diagram / 40°



Light box



Dimensional drawing / installation



MoveSpot

Advantages

- ▶ Accentuation due to swivelling light beam
- ▶ Can be used without glare

Features

- ▶ Recessed light with 40 mm installed diameter
- ▶ 20° adjustment to side

Examples of use

- ▶ Shelves
- ▶ Display cabinets
- ▶ Furniture halo lighting

Ordering information

- ▶ Sales unit: 1

Technical details in brief



12V

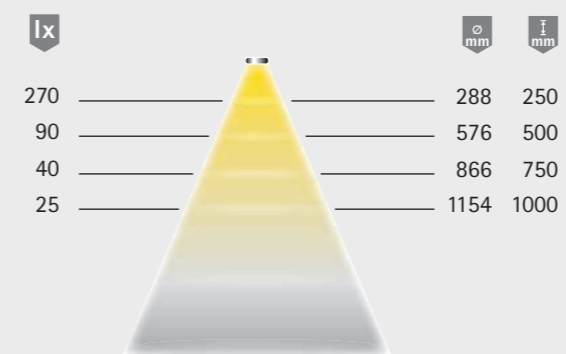
Lamp type:	LED recessed light
Type of lighting:	Functional / accent lighting
Surface finish:	Aluminium
Operating voltage:	12 V DC
Light colour:	Extra warm white
Colour rendering index CRI:	85
Energy efficiency:	A
Life span:	50 lm/W
Power consumption:	30,000 h (L70)
Dimmable:	2.2 W
Half-peak-angle:	Yes / PWM
Test marks and symbols:	60°
Protection rating:	CE, ,
Installed diameter:	IP 44
Supply lead:	40 mm
Plug connection:	1800 mm
Connection to:	LED mini M1 plug connection LED ballast

MoveSpot	
Article	Order no.
Aluminium	XtraWarmWhite 32 351 46
Accessories (additional accessories in the "Licht im Moebel" main catalogue)	
Article	Order no.
LED ballast 20 W with flat Euro plug	31 016 01
M1 extension lead 1800 mm	36 768 01
M1 3-way distributor 180 mm	36 852 01
M1 6-way distributor 2000 mm	36 125 01

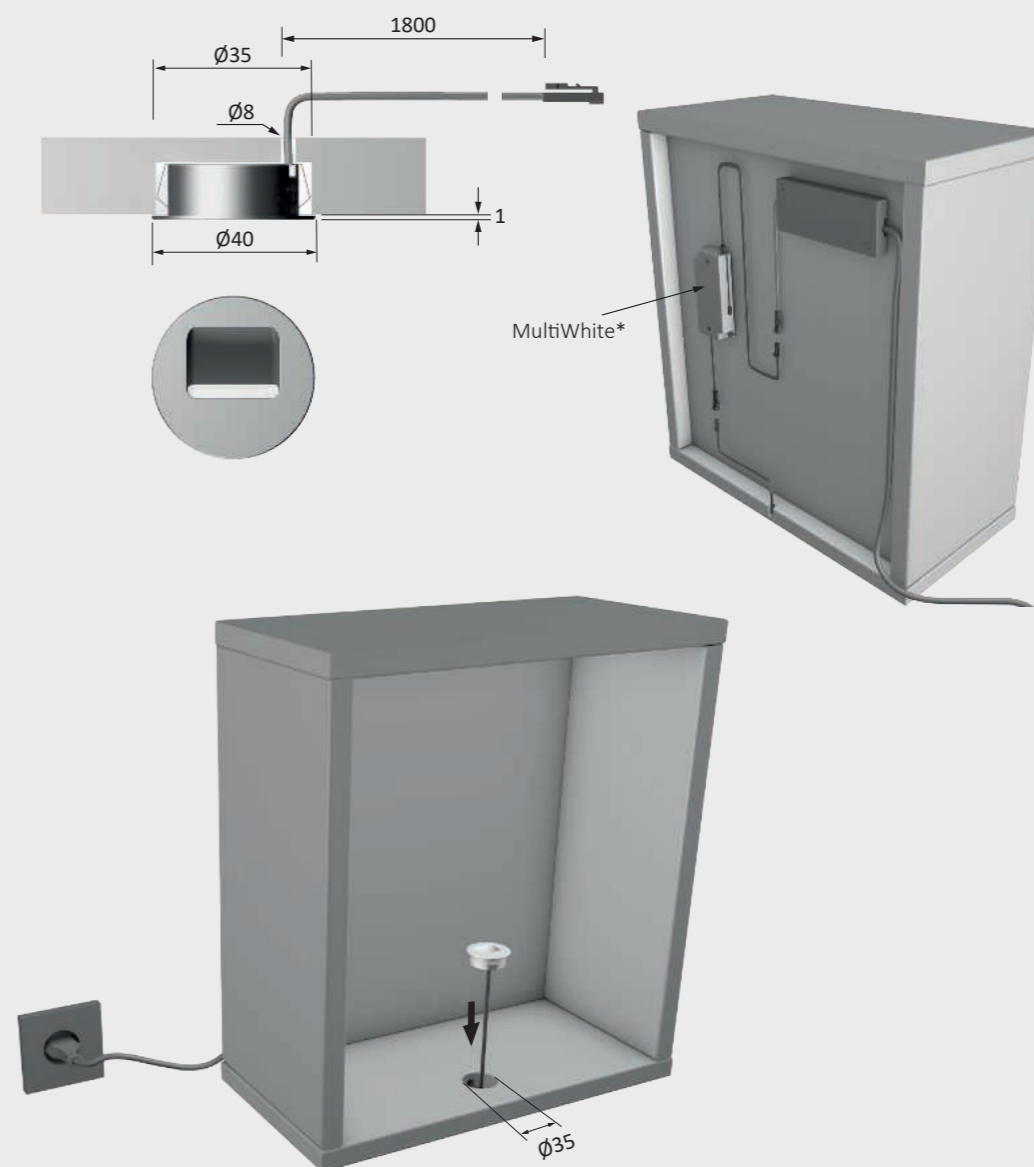
QUESTIONS? Please call our service team or write to us by e-mail



Light distribution diagram / 60°



Dimensional drawing / installation



SideSpot

Advantages

- ▶ Brought to life by light from below / the side

Features

- ▶ Inclined light emission
- ▶ Glare free
- ▶ Recessed light with 35 mm installed diameter

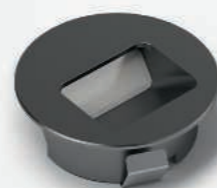
Examples of use

- ▶ Shelves
- ▶ Display cabinets

Ordering information

- ▶ MultiWhite control for setting the colour required
- ▶ Sales unit: 1

Technical details in brief



12 V

Lamp type:	LED recessed light
Type of lighting:	Functional / accent lighting
Surface finish:	Black
Operating voltage:	12 V DC
Light colour:	Extra warm white / MultiWhite / CoolWhite
Colour rendering index CRI:	80
Energy efficiency:	A
	30 lm/W
Life span:	30,000 h (L70)
Power consumption:	1.4 W
Dimmable:	Yes / PWM
Half-peak-angle:	60°
Test marks and symbols:	CE, RoHS, Energy Star
Protection rating:	IP 20
Installed diameter:	35 mm
Supply lead:	1800 mm
Plug connection:	LED mini M1 plug connection
Connection to:	LED ballast

SideSpot

Article	Order no.		
	XtraWarmWhite	MultiWhite	CoolWhite
Black	32 171 45	32 171 35*	32 171 25

Accessories (additional accessories in the "Licht im Moebel" main catalogue)

Article	Order no.
S-Mitter Basic MultiWhite wireless kit	30 772 01
LED ballast 20 W with flat Euro plug	31 016 01
M1 extension lead 1800 mm	36 768 01
M1 3-way distributor 180 mm	36 852 01
M1 6-way distributor 2000 mm	36 125 01

* MultiWhite accessories required

📞 QUESTIONS? Please call our service team or write to us by e-mail

Motion sensor

Body heat and movement:
This sensor reacts to everything.
And as the light is only illuminated
in response to these impulses,
energy is saved.



Sensor switch MagicSwitch Basic

Approaching is sufficient –
the "invisible" sensor will then
switch all connected LED lights
on or off.

Switching technology

Black is IN.

So is comfort.

Halemeier technology allows for
contactless or motion-triggered
switching. Needless to say that all
components are easy to integrate.



MagicSwitch Basic

Advantages

- ▶ Invisible switch for a range of applications

Features

- ▶ Mounted on the back of the panel, the MagicSwitch detects movement on the front of the panel and then switches
- ▶ The MagicSwitch only works in conjunction with non-metallic surfaces and materials such as wood, glass and ceramics up to a material thickness of 25 mm

Examples of use



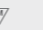
- ▶ Switches furniture lights on and off

Ordering information

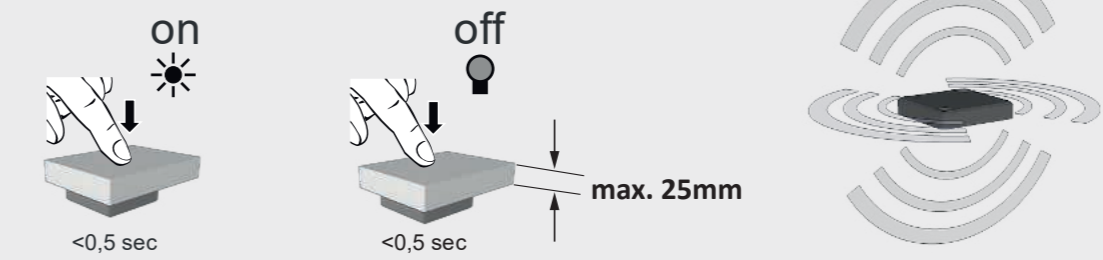
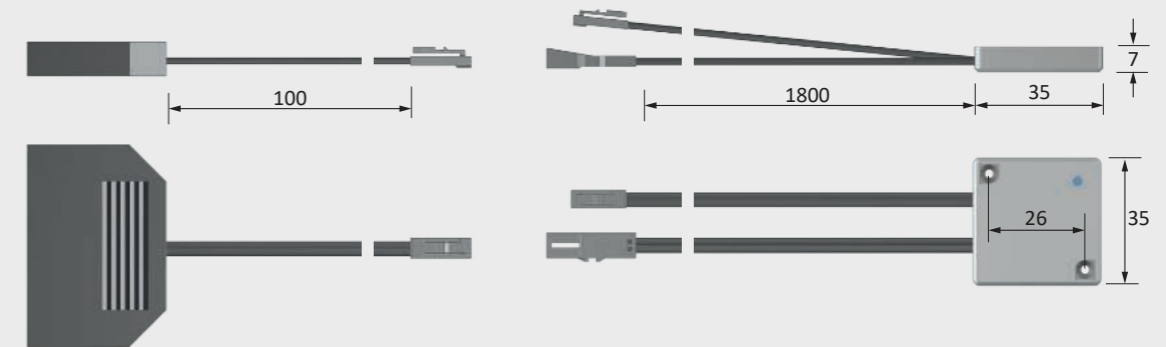
- ▶ With more than 36 W controlled lighting power, a Repeater can be used for synchronisation
- ▶ 6-way distributor is included in the scope of delivery

Technical details in brief



For use with: LED lights
 Surface finish: Black
 Plug connection IN: LED mini
 Plug connection OUT: M1 plug connection
 Operating voltage: 12 V DC
 Max. switching power: 36 W
 Test marks and symbols:   
 Supply lead: 1800 mm
 Switching lead: 1800 mm to light
 Standby: < 0.5 W

Dimensional drawing / installation



MagicSwitch Basic	
Article	Order no.
MagicSwitch Basic	30 783 02
Accessories (additional accessories in the "Licht im Moebel" main catalogue)	
Article	Order no.
Repeater 12 V (max. 36 W)*	30 263 07

* One Repeater enables the control of a lighting circuit of more than 36 W at 12 V.



IR Door Switch

Advantages

- ▶ Particularly small drill-in infrared sensor

Features

- ▶ Only 8 mm drill hole required

Examples of use

- ▶ Door contact switch

Ordering information

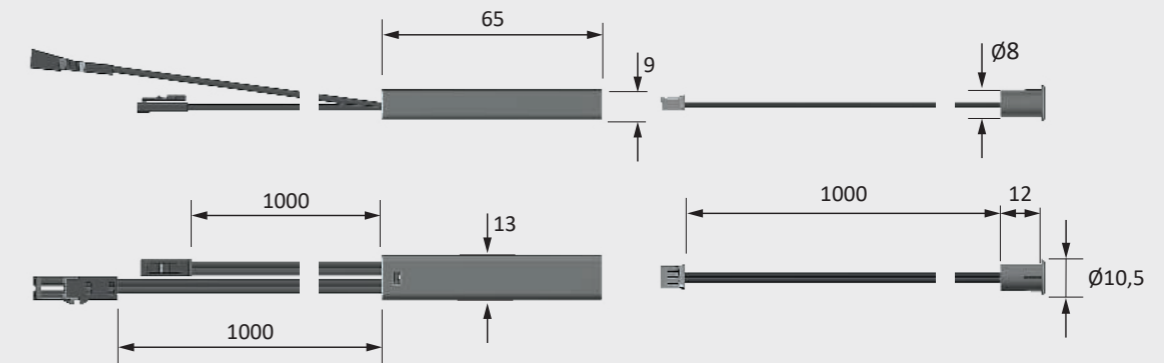
- ▶ Only for use with dimmable LED lamps
- ▶ Not compatible with dimmers
- ▶ Sales unit: 1

Technical details in brief



For use with: LED lights
 Surface finish: Aluminium look
 Operating voltage: 12 V DC
 Max. switching power: 36 W
 Test marks and symbols: CE, RoHS, WEEE
 Switching distance: see drawing
 Sensor lead: 1000 mm
 Supply lead: 1000 mm cable to the master unit
 Switching lead: 1000 mm
 Standby: < 0.5 W

Dimensional drawing / installation



IR Door Switch

Article	Order no.
IR Door Switch	31 033 01

Accessories (additional accessories in the "Licht im Moebel" main catalogue)

Article	Order no.
Repeater 12 V (max. 36 W)*	30 263 07

* One Repeater enables the control of a lighting circuit of more than 36 W at 12 V.

QUESTIONS? Please call our service team or write to us by e-mail



LED motion sensor

Advantages

- ▶ Drill-in motion sensor
- ▶ Responds heat and movement

Features

- ▶ Switching on / off
- ▶ Not compatible with dimmers

Examples of use

- ▶ Sliding doors

Ordering information

- ▶ For other sensors, see main catalogue
- ▶ Only for use with dimmable LED lamps
- ▶ Sales unit: 1

Technical details in brief

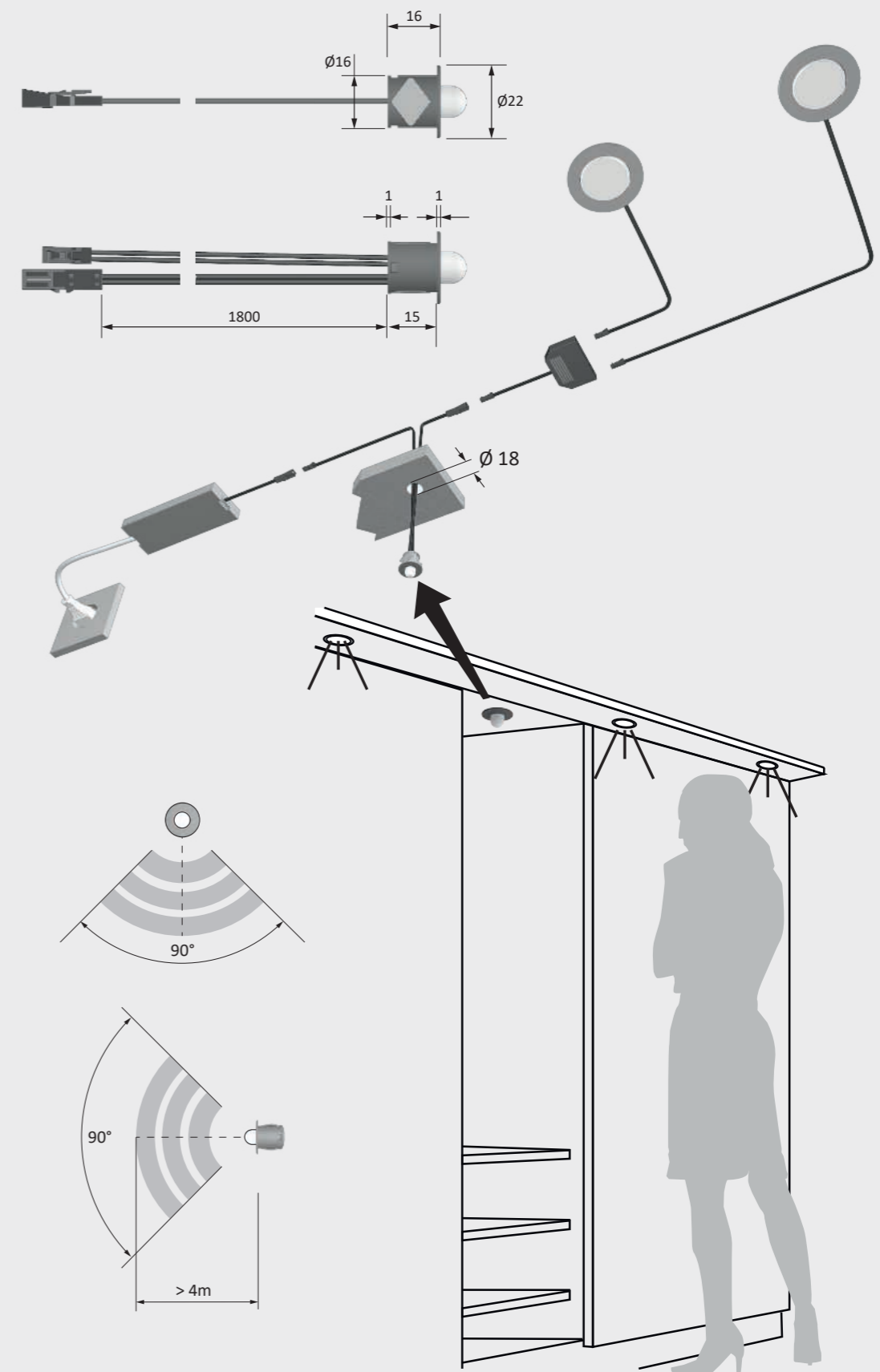


For use with:	LED lights
Surface finish:	Grey
Operating voltage:	12 V DC
Max. switching power:	36 W
Test marks and symbols:	CE ◊ ▽
Motion sensor:	
Sensing angle:	90°
Range:	4 m
Stay-'ON' time:	30 seconds
Supply lead:	1000 mm
Switching lead:	1000 mm to light
Standby:	< 0.5 W

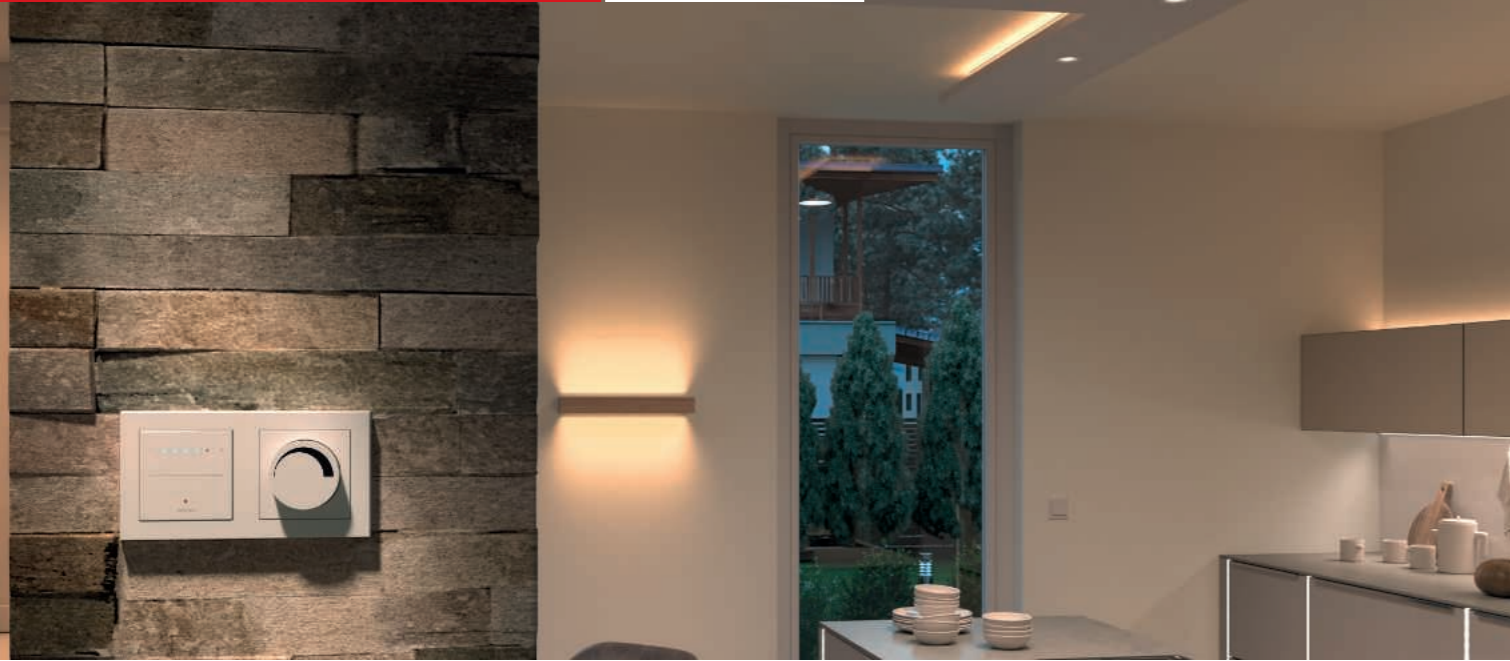
LED motion sensor	
Article	Order no.
LED motion sensor	30 784 01
Accessories (additional accessories in the "Licht im Moebel" main catalogue)	
Article	Order no.
Repeater 12 V (max. 36 W)*	30 263 07

* One Repeater enables the control of a lighting circuit of more than 36 W at 12 V.

Dimensional drawing / installation



QUESTIONS? Please call our service team or write to us by e-mail



LED Dali module

Advantages

- ▶ Dimming module
- ▶ Can be connected to a building control system

Features

- ▶ For use with Dali control systems only

Examples of use

- ▶ Furniture lighting

Ordering information

- ▶ For Dali control signal
- ▶ Sales unit: 1

Technical details in brief

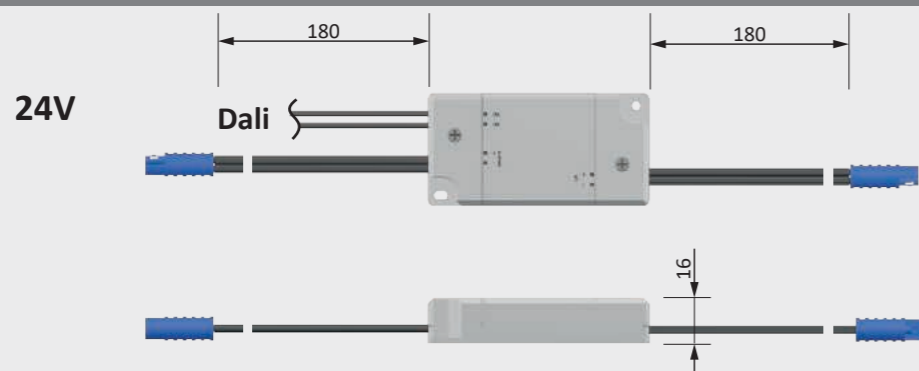


For use with: LED lights
 Plug connection: LED mini plug
 connector M1/MP2
 Switching voltage: 12/24 Volt DC
 Max. switching power: 36/150 W
 Test marks and symbols:
 Supply lead: 180 mm
 Control lead: 180 mm
 Standby: < 0.5 W

LED Dali module

Article	Order no.
LED-dimming module 12VDC Dali	31 041 01
LED-dimming module 24VDC Dali	31 041 02

Dimensional drawing / installation



LED rocker switch

Advantages

- ▶ Simple rocker switch

Examples of use

- ▶ Switching of furniture lights

Ordering information

- ▶ Sales unit: 1

Technical details in brief

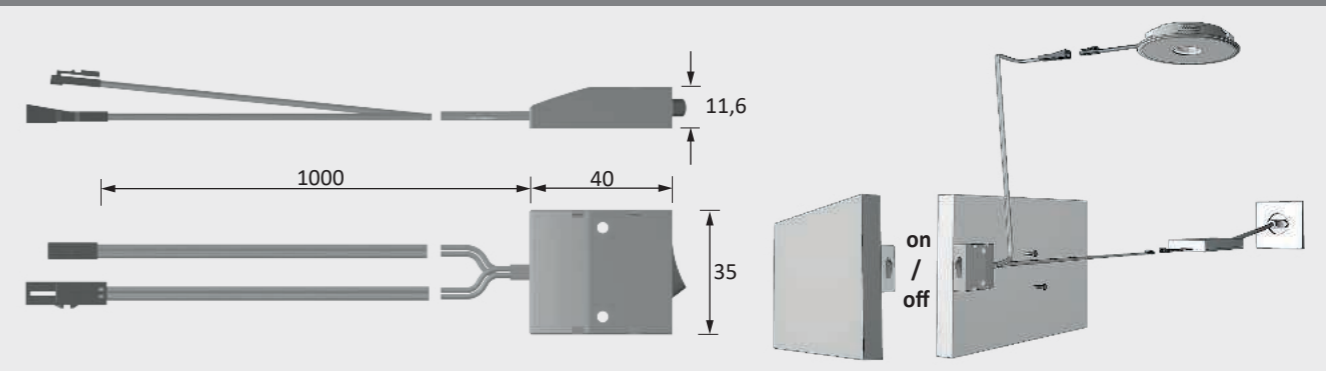


For use with: LED lights
 Surface finish: Black
 Operating voltage: 12 V DC
 Test marks and symbols:
 Plug connection: LED mini M1 plug connector / flat Euro plug
 Supply lead: 1000 mm
 Control lead: 1000 mm

LED rocker switch

Article	Order no.
LED rocker switch black	36 320 02

Dimensional drawing / installation



QUESTIONS? Please call our service team or write to us by e-mail

Showroom in Melle

Experience our attractive LED lights live: Our stylish showroom in Melle-Neuenkirchen is always up-to-date. We look forward to your visit!

Education.

We train your staff and bring them up to speed with the latest technology.

Light in the spotlight

Sales tools for the point of sale.

Sales tools for your point of sale

Fuel the imagination of your customers at the point of sale: With the versatile HALEMEIER TowerCube or the small flexible BaseCube, you can easily and quickly demonstrate how the various lighting solutions actually work. The two sales tools come with a range of lamp models installed on compact light boards. The lamp lights up as soon as a board gently pushed into the installed slideway. Your customers can thus see your lighting solutions in action and decide which lighting effect best suits their needs.

The digital catalogue

www.HALEMEIER.de In our digital catalogue you can find all our easy-to-use, high-quality furniture lights. The "Licht im Moebel" main catalogue also shows the complete product portfolio.



magic
by HALEMEIER

HALEMEIER GmbH

Lange Strasse 51 | 49326 Melle-Neuenkirchen | Germany | Phone: +49 (0)5428-50380-0 | Fax: +49 (0)5428-50380-16 | E-mail: info@halemeier.de