



Quality at an attractive price:
Quadro drawer runners with Stay Close

Technik für Möbel


Hettich

Benefits at a glance: Quadro drawer runner with Stay Close

Best prospects for success in furniture retail:

- Concealed runners for a high quality look
- Integrated front panel height adjustment
- Very easy, quiet running action
- Attractive price

Quality that pays:

- Consistently smooth running action from a profile geometry that evens out tolerances
- High precision runners for stability and reliability
- Quality that impresses while and after purchasing
- Long life

More options, more sales:

- Easily upgraded to Quadro runners with Silent System thanks to platform concept
- Identical wooden components for lean production
- Efficient access to new market segments

Better safe than sorry:

- Automatically locking and unlocking lift off guard
- Standard on full extension runners, optional on partial extension runners
- High installation reliability even in flat packed furniture



Drawer runners for wooden drawers

► Quadro drawer runners with Stay Close



The smart shopper target group is huge. It wants extremely low price furniture but accepts no compromising on quality. This is precisely where your furniture can score from Quadro with Stay Close: a concealed runner instead of visible ball

bearing runners or roller runner systems. Concealed, quiet, smooth running, long lasting and, doing without any self closing mechanism, surprisingly inexpensive. Quadro with Stay Close - a powerful competitive edge for your furniture.



Quadro:
Precision engineered for strength and excellent running quality



For an impressive look:
Concealed runners



For all demands:
Partial and full extension runners in many lengths



For very easy installation:
Plug on principle for wooden drawers



For attractive reveal alignment:
Integrated height adjustment



For maximum safety:
Self engaging lift off guard

Drawer runners for wooden drawers

- ▶ Quadro drawer runners with Stay Close
- ▶ Summary



Quadro 25 partial extension runners
Plug on installation

6 - 7



Quadro V6 full extension runners
Plug on installation

8 - 9



Accessories

10 - 11



Technical information

- ▶ Installation, removal
- ▶ Adjustment
- ▶ Quality criteria

12

13

14

Drawer runners for wooden drawers



- ▶ Quadro 25 partial extension runner with Stay Close, EB 20 (up to 16 mm drawer side profile thickness)
- ▶ Load capacity 25 kg



- ▶ **Plug on installation** with tool-less height adjustment
- ▶ Integrated **Stay Close** function
- ▶ Suitable for drawers with a side profile thickness of up to 16 mm
- ▶ Load capacity to EN 15338, Level 3
- ▶ Galvanised steel

Quadro 25 with Stay Close

Nominal length / drawer length NL mm	Minimum carcase depth KT mm	Extension loss EL mm	Hole spacing b1 mm	Drill hole spacing C mm	Drill hole spacing D mm	Order no.		PU
						left	right	
300	313	50	160	188,5	111,5	9 227 251	9 227 252	30 ea.
350	363	62	192	221,5	128,5	9 227 253	9 227 254	30 ea.
400	413	74	224	249,5	150,5	9 227 255	9 227 256	30 ea.
450	463	86	256	283,5	166,5	9 227 257	9 227 258	30 ea.
500	513	98	288	309,5	190,5	9 227 259	9 227 260	30 ea.

- ▶ Using the rear plug reduces the drawer length (NL) by 10 mm

Lift off guard for wooden drawers with plug on installation (Quadro 25)



- ▶ Wooden drawers for plug on installation can additionally be secured using the optional lift off guard
- ▶ Plastic, grey

Order no.		PU
left	right	
9 155 280	9 155 281	200 ea.

Plug (Quadro 25 and Quadro 40)

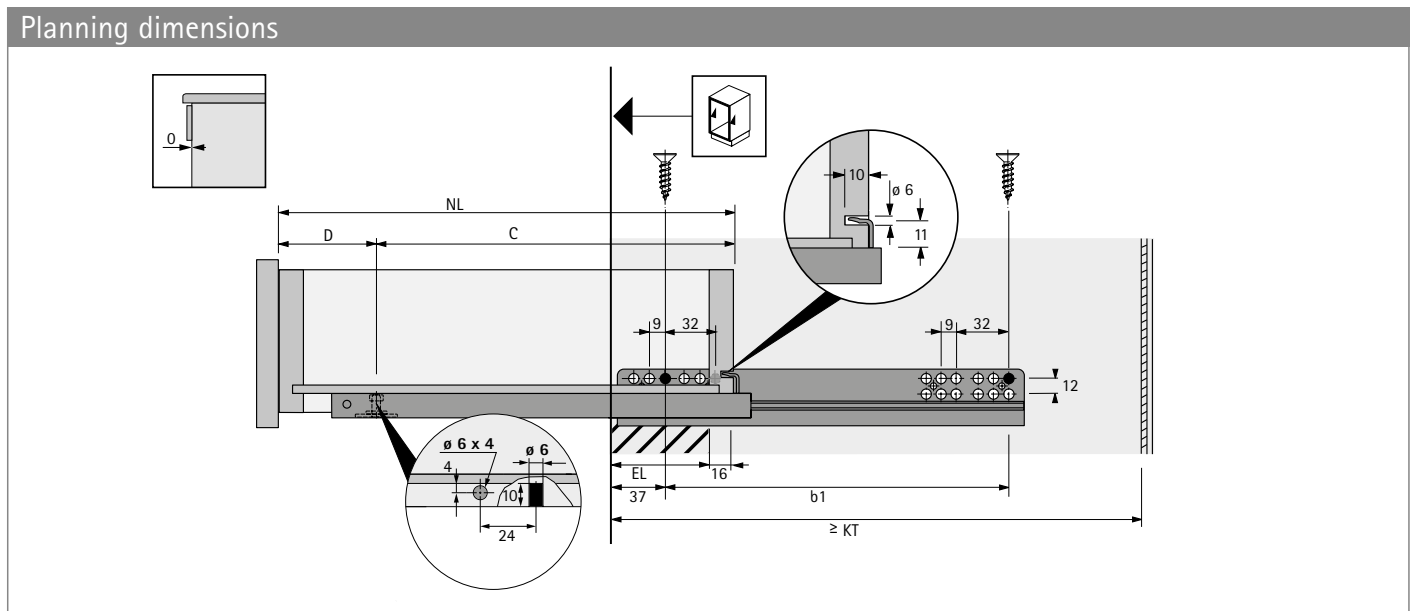
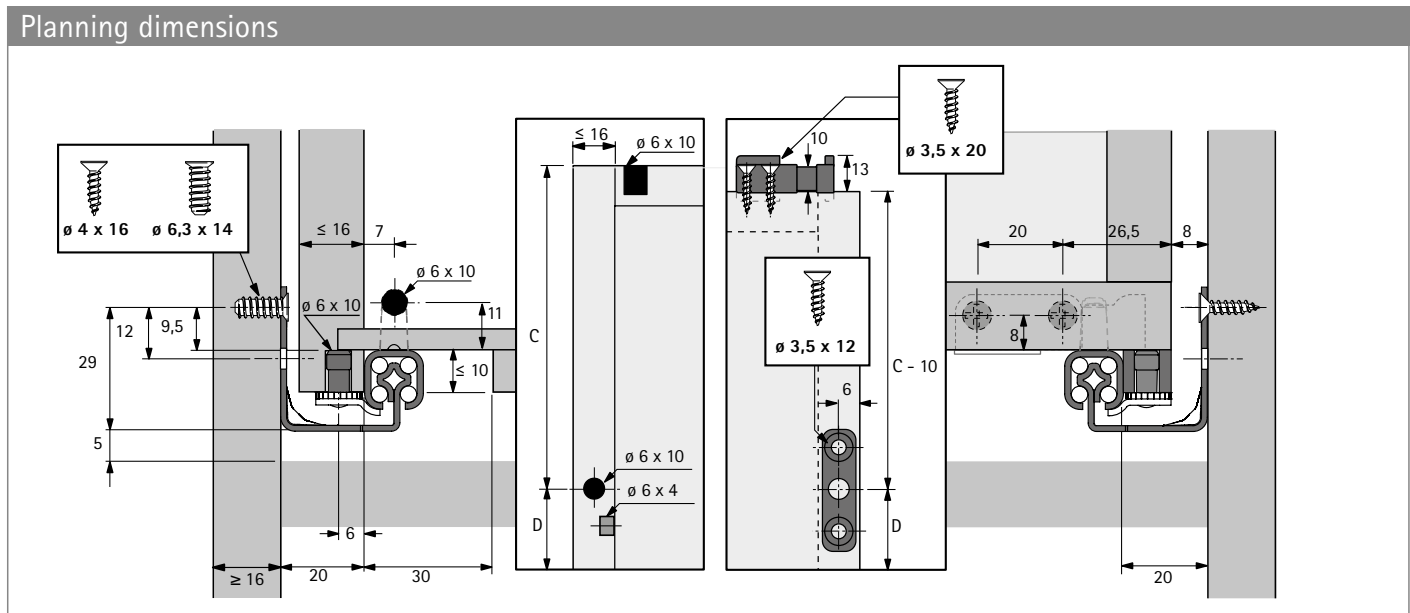


- ▶ For drawers with flush bottom panel and pull-out shelves
- ▶ Plastic
- ▶ Using the rear plug reduces the drawer length (NL) by 10 mm.

Mounting position	Colour	Order no.	PU
front	beige	0 047 216	200 ea.
rear	white	0 073 213	200 ea.

Drawer runners for wooden drawers

- ▶ Quadro 25 partial extension runner with Stay Close, EB 20 (up to 16 mm drawer side profile thickness)
- ▶ Load capacity 25 kg



- ▶ For technical information, see pages 12 - 14
- ▶ For accessories, see pages 10 - 11

Drawer runners for wooden drawers



- ▶ **Quadro V6 full extension runner with Stay Close, EB 20 (up to 16 mm drawer side profile thickness)**
- ▶ **Load capacity 30 kg**



- ▶ **Plug on installation** with tool-less height adjustment
- ▶ Integrated **Stay Close** function
- ▶ Integrated lift off guard
- ▶ Suitable for drawers with a side profile thickness of up to 16 mm
- ▶ Load capacity to EN 15338, Level 3
- ▶ Galvanised steel

Quadro V6 with Stay Close

Nominal length / drawer length NL mm	Minimum carcase depth KT mm	Extension loss EL mm	Hole spacing b1 mm	Drill hole spacing C mm	Drill hole spacing D mm	Order no.		PU
						left	right	
300	313	192		255	45	9 236 863	9 236 864	20 ea.
350	363	192		305	45	9 231 182	9 231 183	20 ea.
400	413	224		355	45	9 231 169	9 231 170	20 ea.
450	463	256		405	45	9 231 235	9 231 236	20 ea.
500	513	288	224	455	45	9 236 865	9 236 866	20 ea.

- ▶ Using the rear plug reduces the drawer length (NL) by 10 mm

Plug (Quadro 25 and Quadro 40)

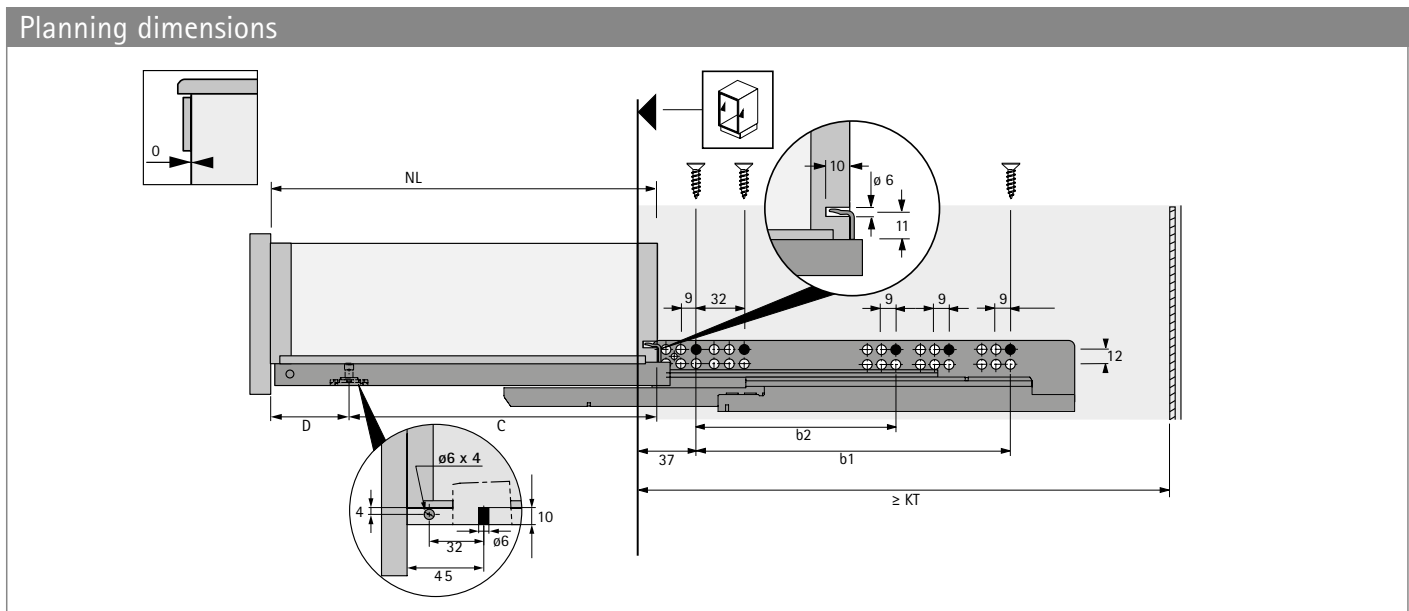
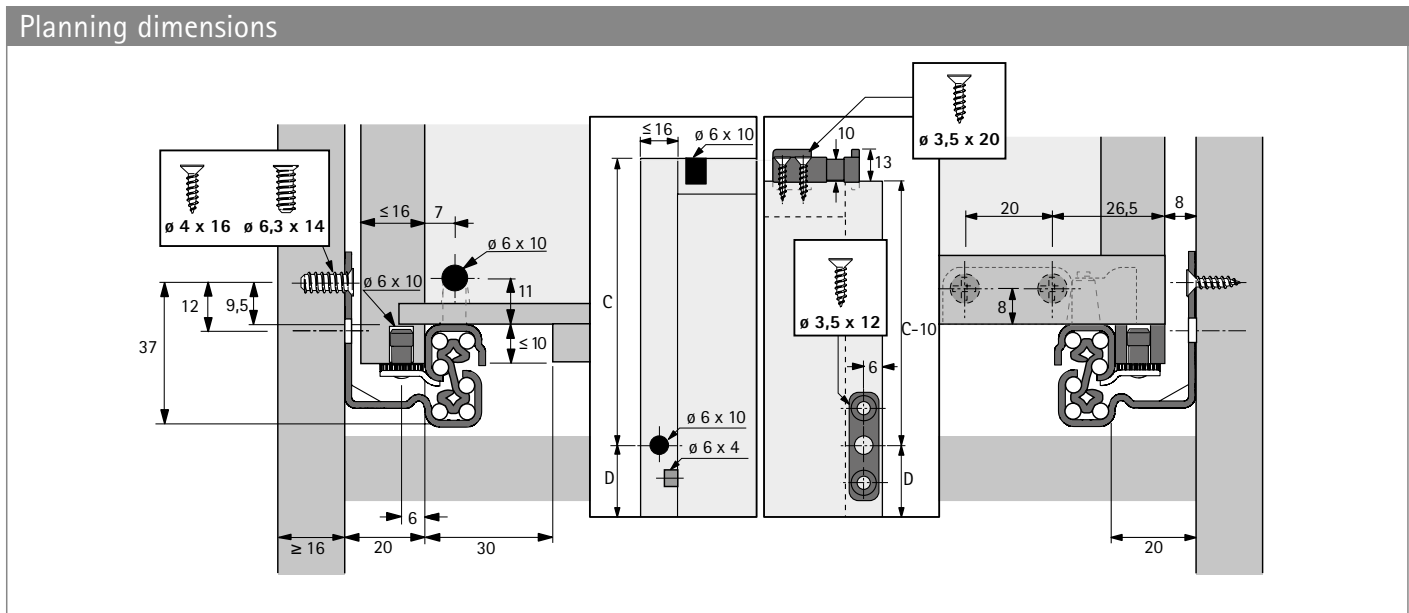


- ▶ For drawers with flush bottom panel and pull-out shelves
- ▶ Plastic
- ▶ Using the rear plug reduces the drawer length (NL) by 10 mm.

Mounting position	Colour	Order no.	PU
front	beige	0 047 216	200 ea.
rear	white	0 073 213	200 ea.

Drawer runners for wooden drawers

- ▶ Quadro V6 full extension runner with Stay Close, EB 20 (up to 16 mm drawer side profile thickness)
- ▶ Load capacity 30 kg



- ▶ For technical information, see pages 12 - 14
- ▶ For accessories, see pages 10 - 11

Drawer runners for wooden drawers

- ▶ Quadro
- ▶ Accessories

Direct fixing screw



- ▶ Shallow countersunk head
- ▶ Pozidrive screw
- ▶ Steel, galvanised

Dimensions mm	Order no.	PU
ø 6.3 x 14	0 051 265	200 ea.

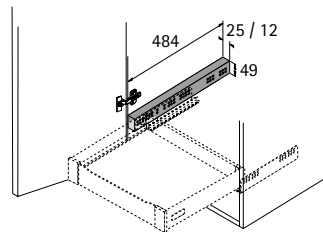
Chipboard screw



- ▶ Countersunk head
- ▶ Pozidrive screw
- ▶ Steel, nickel plated

Dimensions mm	Order no.	PU
ø 3.5 x 12	9 079 791	200 ea.
ø 3.5 x 16	0 071 925	200 ea.
ø 3.5 x 20	0 071 924	200 ea.
ø 4 x 16	0 010 085	200 ea.

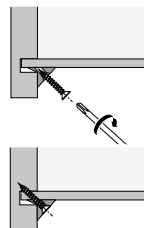
Spacer profile



- ▶ Suitable for Quadro drawer runners and FR roller runners
- ▶ For bridging the hinge protrusion when using internal pot-and-pan drawers
- ▶ To span greater spaces, several profiles can be clipped on top of one another
- ▶ The spacer profiles can also be used for tolerance compensation
- ▶ Plastic, white

Width x depth x height mm	Order no.	PU
25 x 484 x 49	0 013 952	1 ea.
12 x 484 x 49	9 115 956	1 ea.

Rear-panel connector RV 8



- ▶ For fixing drawer bottom panels and rear panels
- ▶ Plastic, white
- ▶ Screw ø 3.5 x 20 mm galvanised

Order no.	PU
0 079 438	200 ea.

Drawer runners for wooden drawers

- ▶ Quadro
- ▶ Accessories

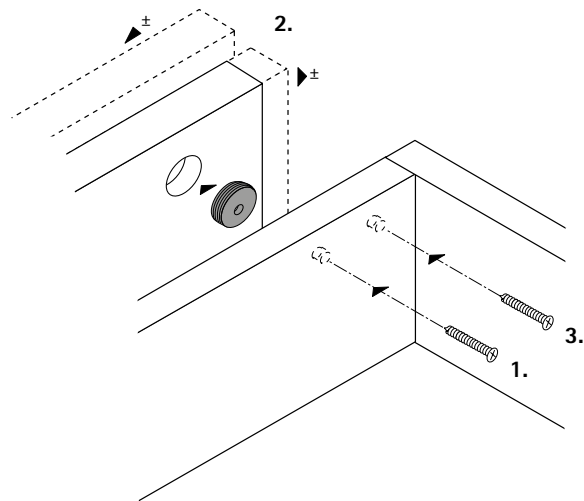
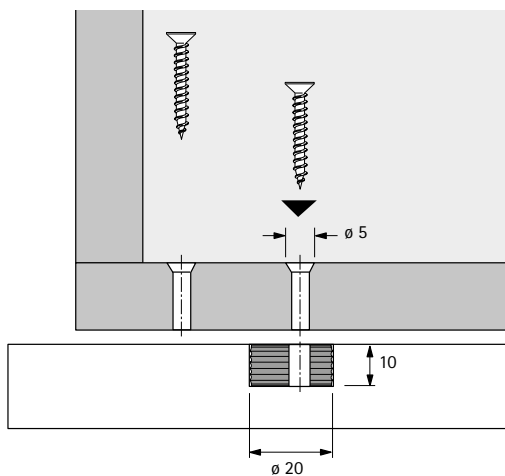
Front panel adjuster



- ▶ For 2-dimensional adjustment of fronts on 4-sided drawers
- ▶ For knocking into the drawer front panel
- ▶ Plastic, white

Order no.	PU
0 071 833	200 ea.

Installing front panel adjuster

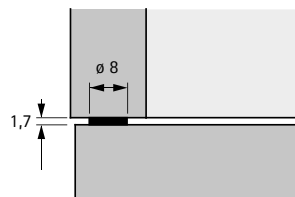


Use $\varnothing 4$ mm countersunk screws to install the front panel fitting.

Screw length = drawer side profile thickness + 10 mm housing depth

After adjustment, the front panel must be secured by means of one additional chipboard screw

Door damper for sticking on



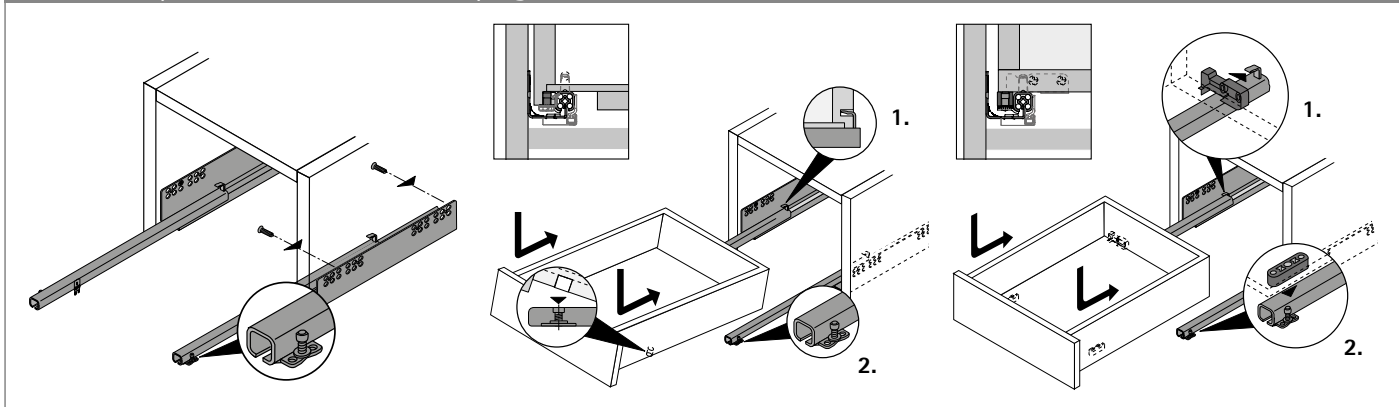
- ▶ Self adhesive
- ▶ Transparent plastic

Order no.	PU
0 072 120	50 ea.
0 046 695	1000 ea.

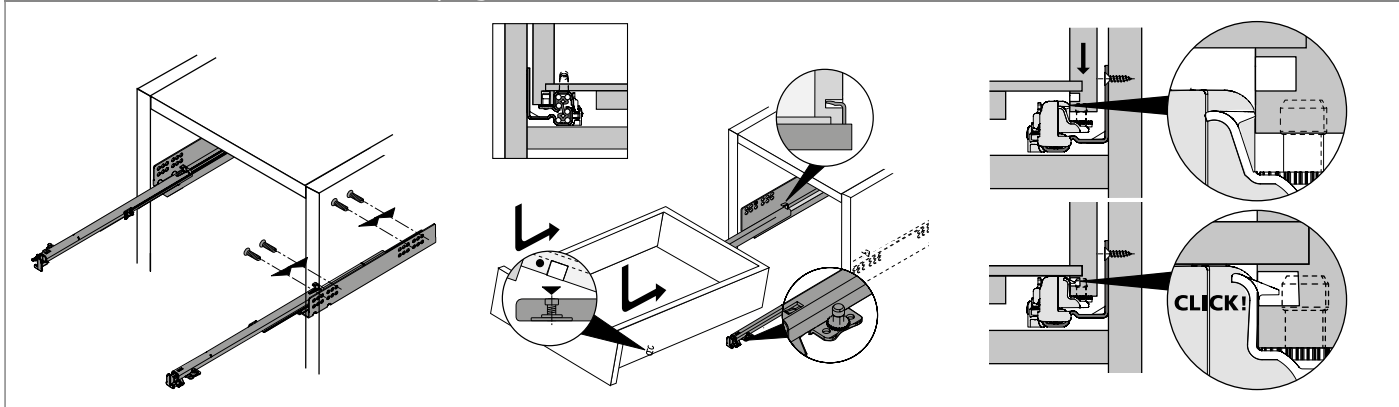
Drawer runners for wooden drawers

- ▶ Quadro
- ▶ Technical information

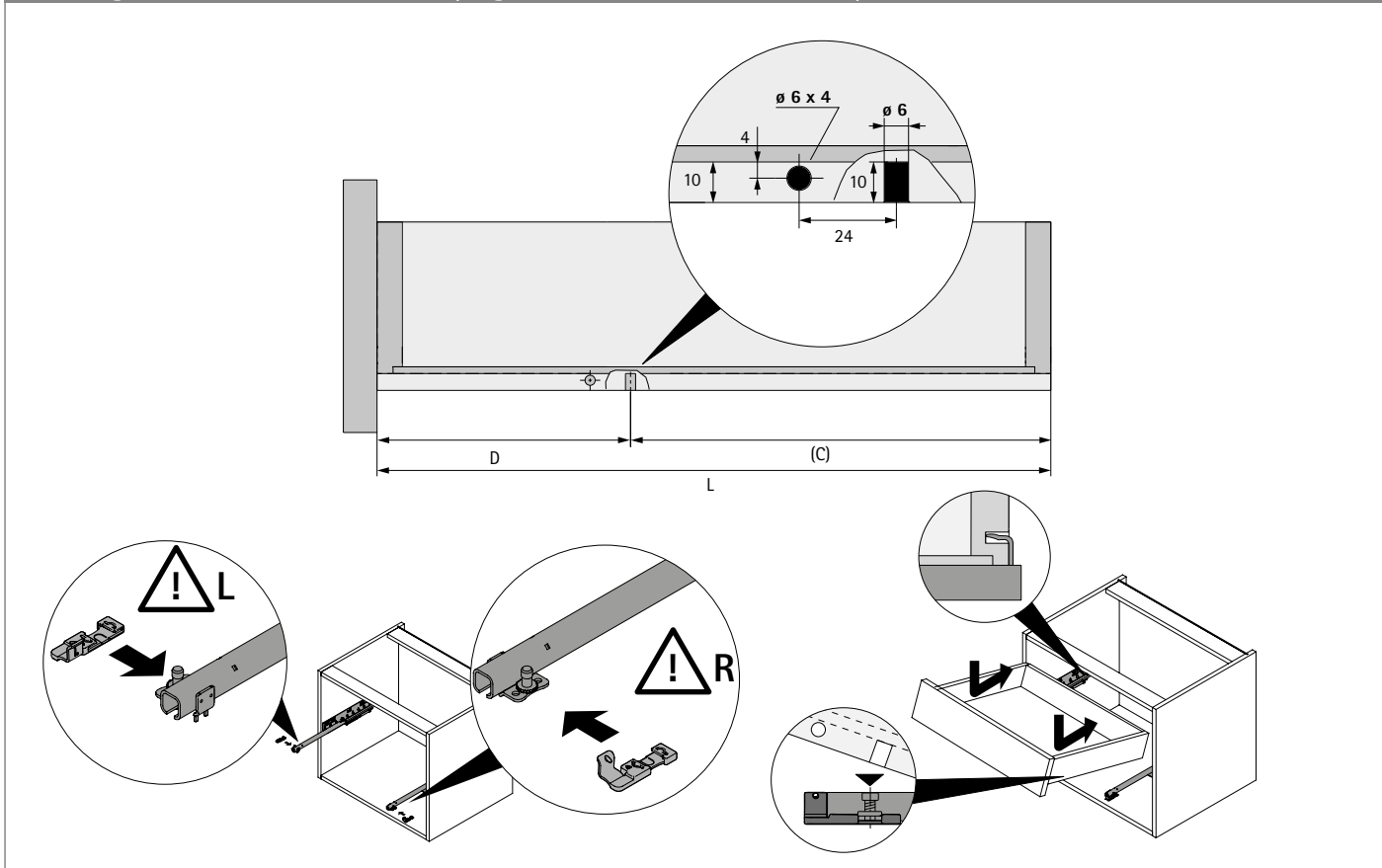
Quadro 25 partial extension runner, plug on installation



Quadro V6 full extension runner, plug on installation



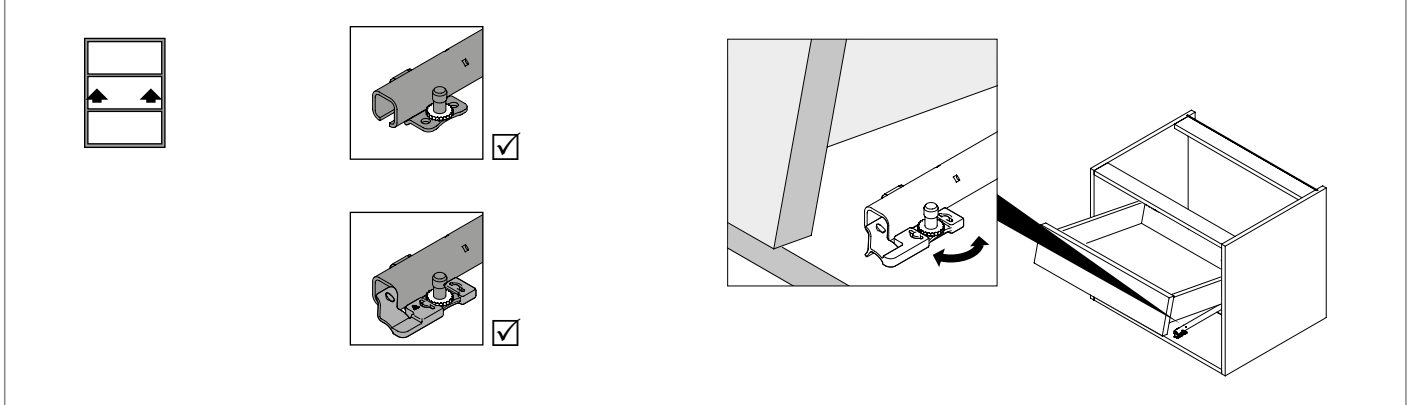
Lift off guard for wooden drawers, plug on installation (Quadro 25 partial extension runner)



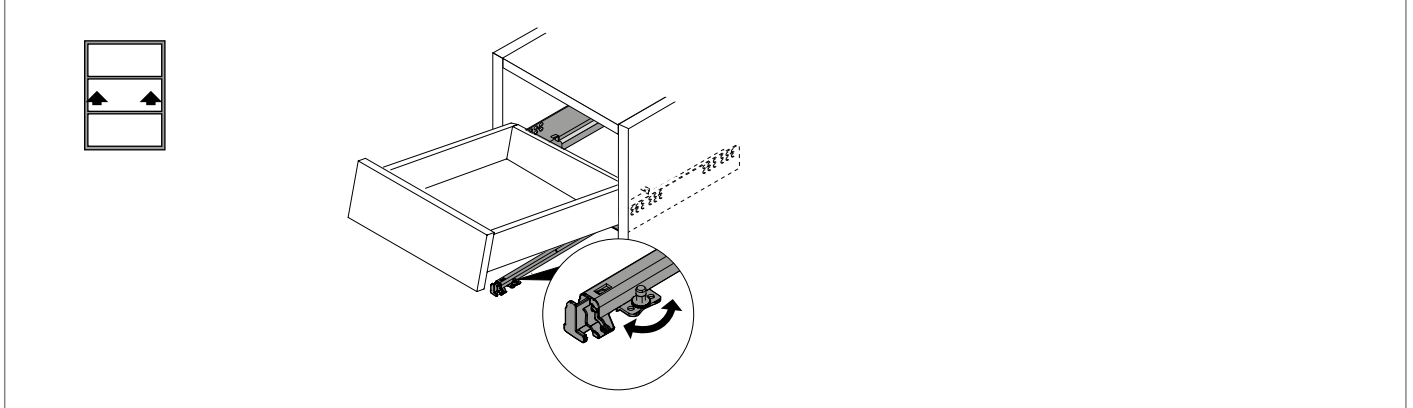
Drawer runners for wooden drawers

- ▶ Quadro
- ▶ Technical information

Quadro 25 partial extension runner, plug on installation: adjustment of the drawer front panel



Quadro V6 full extension runner, plug on installation: adjustment of drawer front panel



Drawer systems

► Quality criteria

Quality that meets all the demands

The quality of the drawer systems is monitored continuously. Hettich fittings comply with the national and international quality standards of the markets our customers operate in. The diagrams below show some of the tests Hettich fittings are required to pass.

Application

Hettich drawer systems are suitable for use in living room, kitchen, bathroom and office furniture both in the home and business environment.

Load capacity and pull-out guard

The load capacity (to DIN EN 15338) stated in the catalogue is understood to mean the weight of the drawer itself including panel and contents in kg. The applicable level is shown on the product. Load capacity relates to a reference length of 500 mm. The load capacity may vary for other lengths. All Hettich drawer systems feature guards to prevent the drawer from rolling out and being removed unintentionally and

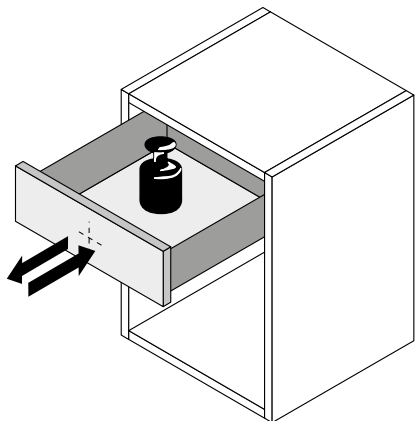
meet the requirements of the impact test in a test frame to EN 15338. Fitted in the proper manner, the drawer systems are suitable for furniture defined in EN 14749. The maximum front panel height is governed in particular by material, drawer size and drawer runner. Testing is conducted on drawers with a 130 mm front panel height and pot-and-pan drawers with a 300 mm front panel height. We will be pleased to provide any further information you may require.

Corrosion test

Hettich runner systems satisfy the requirements on corrosion defined in EN 15338, 72-hour condensation water test to EN 6270.

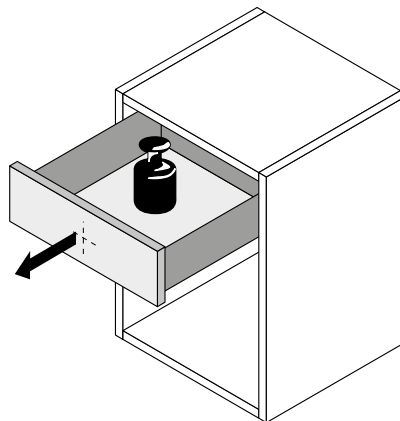
Wear test

The fully laden drawer must remain in proper working order after opening and closing it for a defined number of times at a defined test velocity.



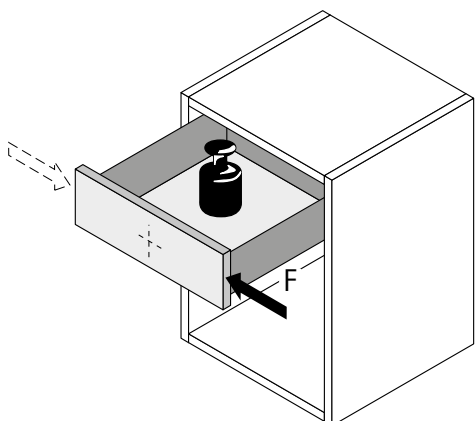
Retention-on-opening test

The fully laden drawer is abruptly opened all the way several times at a defined test velocity.



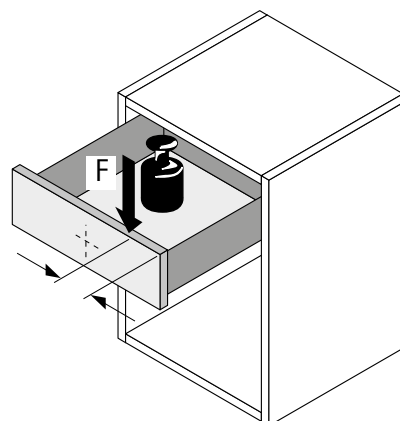
Horizontal load test

Opened all the way, the fully laden drawer is additionally exposed to horizontal strain from a defined lateral force.

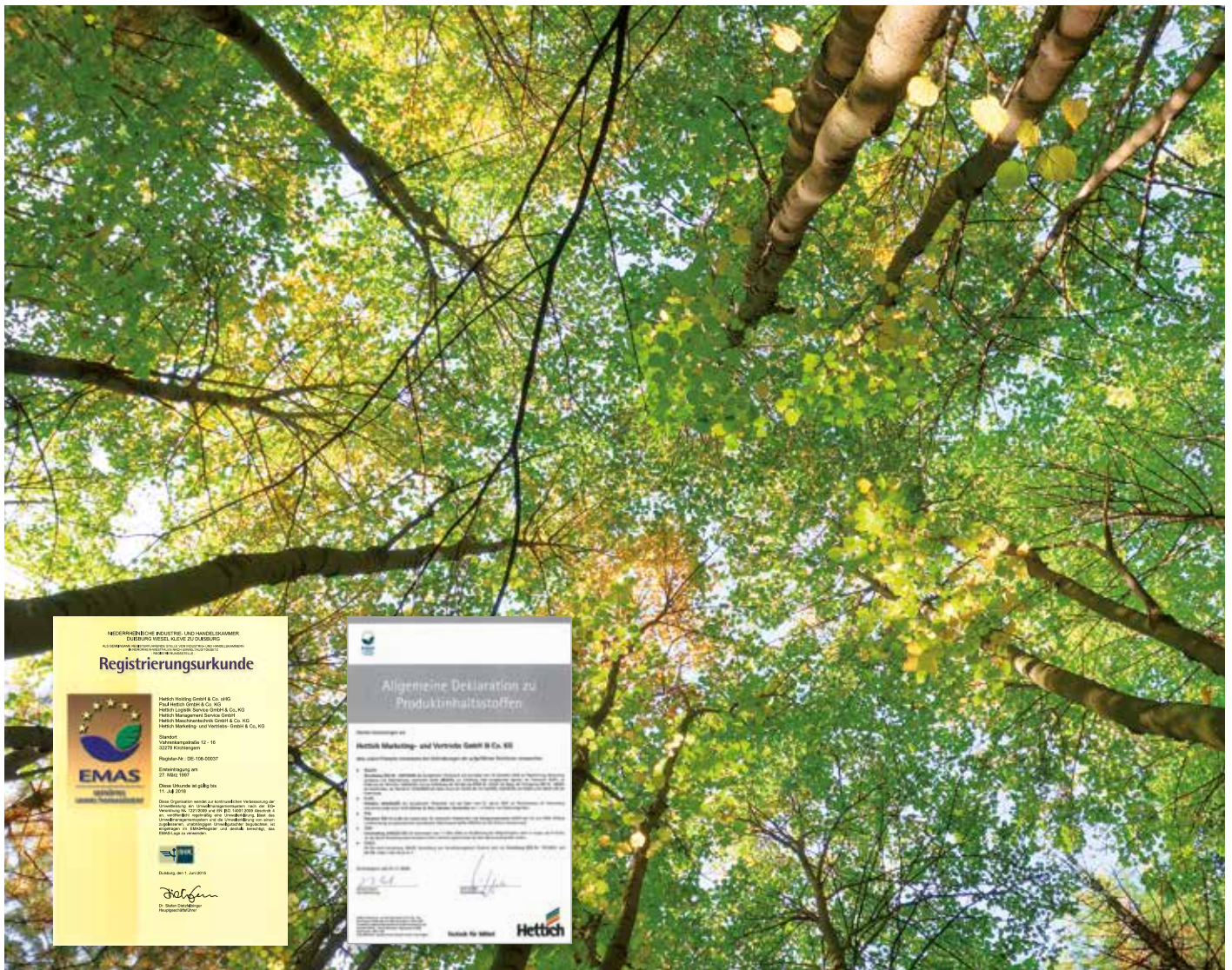


Vertical strain test

Opened all the way, the drawer is additionally exposed to vertical strain from a defined eccentric force.



Hettich and the environment: committed to responsible practice, active protection, innovative thinking.



Hettich accepts responsibility for the world we live in. This awareness defines the strict policy of environmental management we practise. Our environmental officer has taken personal responsibility for these aspects throughout the group of companies over a period of many years. In addition, a separate environment committee has been established for each production site. We regard statutory provisions as minimum requirements. At significant sites we also implement the stringent EMAS Regulation. And we drive forward developments that in future will help to save even more raw materials and support the necessary endeavours towards sustainability.

Hettich standard for product materials

Hettich underpins its commitment by applying an internal standard for product materials. This ensures that every product – from production to disposal – satisfies all environmental requirements. Hettich products are durable. Appropriately foresighted, our rigorous standards are formulated to ensure that international legislation is met as well. This provides a reliable basis for marketing furniture worldwide.

Hettich environmental management

In 1996 Hettich started introducing effective environmental management systems under the stringent EMAS Regulation (currently: EC Regulation No. 761/2001, including EN ISO 14.001/2004). This not only enables us to improve our environmental performance on a broad front but also achieve a high level of safety which, not least, also benefits our customers. This is why we also require our suppliers to meet the necessary minimum standards of environmental protection, industrial safety, health care and social welfare.

The results achieved in the drawer runner and drawer system product segment at the Kirchlengern operation illustrate the impressive effects these measures have and verifiably demonstrate our tireless endeavours to translate words into action:

Relief to the environment between 1997 and 2008:

Specific water consumption:	56 per cent
Specific power consumption:	21 per cent
Specific heat consumption:	84 per cent
Specific CO ₂ emissions:	29 per cent

www.hettich.com

Order no.: 9 ??? ??
???-???_Quadro_Stay_Close_07/17_HPH/en

Technik für Möbel

